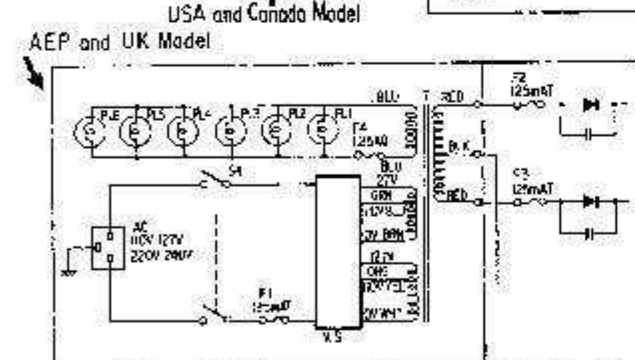
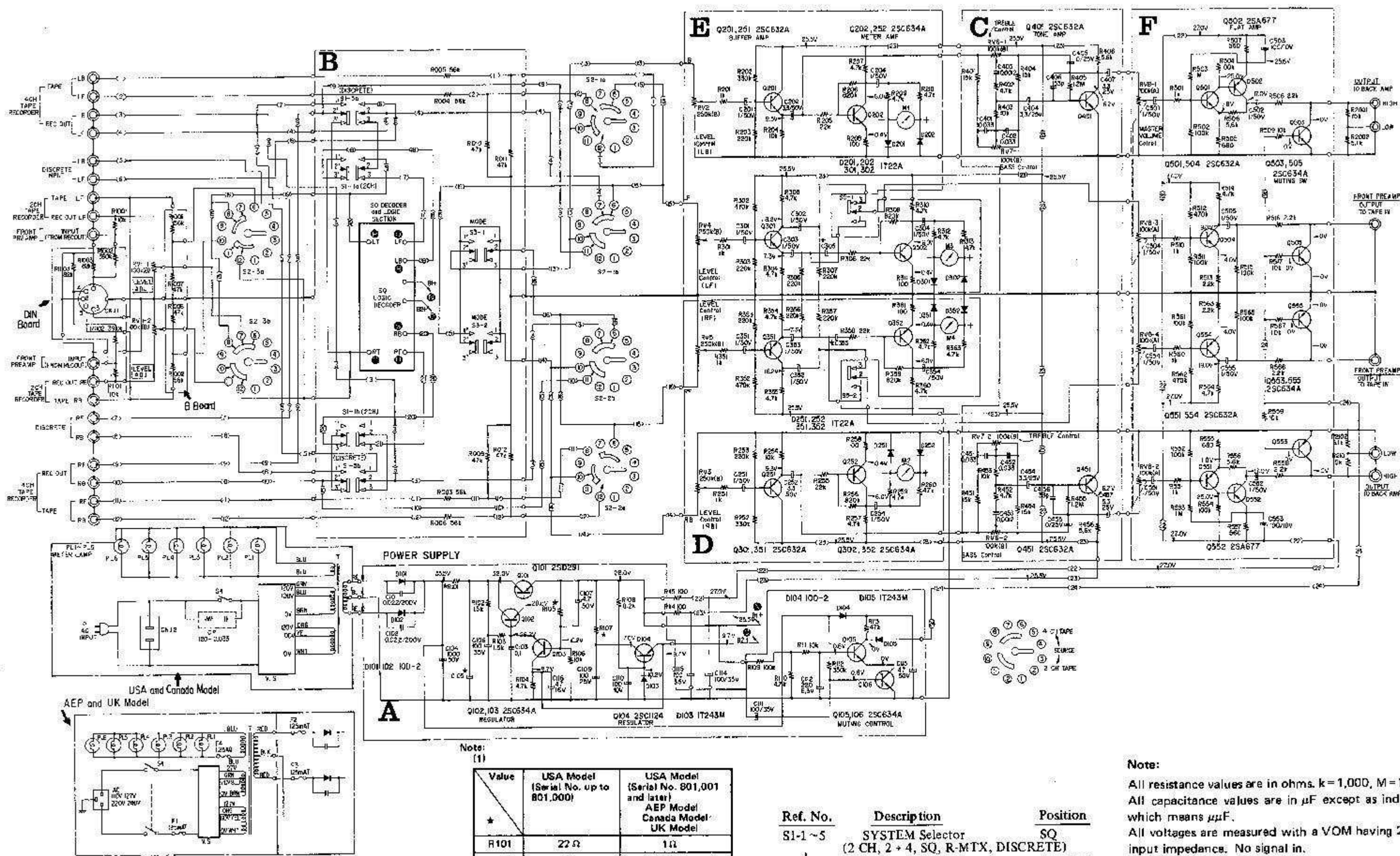


5-7. SCHEMATIC DIAGRAM (1) - Overall -



Note: (1)

Value	USA Model (Serial No. up to 801,000)	USA Model (Serial No. 801,001 and later) AEP Model Canada Model UK Model
R101	22 Ω	1 Ω
R105	18k	15k
C105	220 μ/35 V	deleted
C305 (C355)		1 μ/50 V (added)

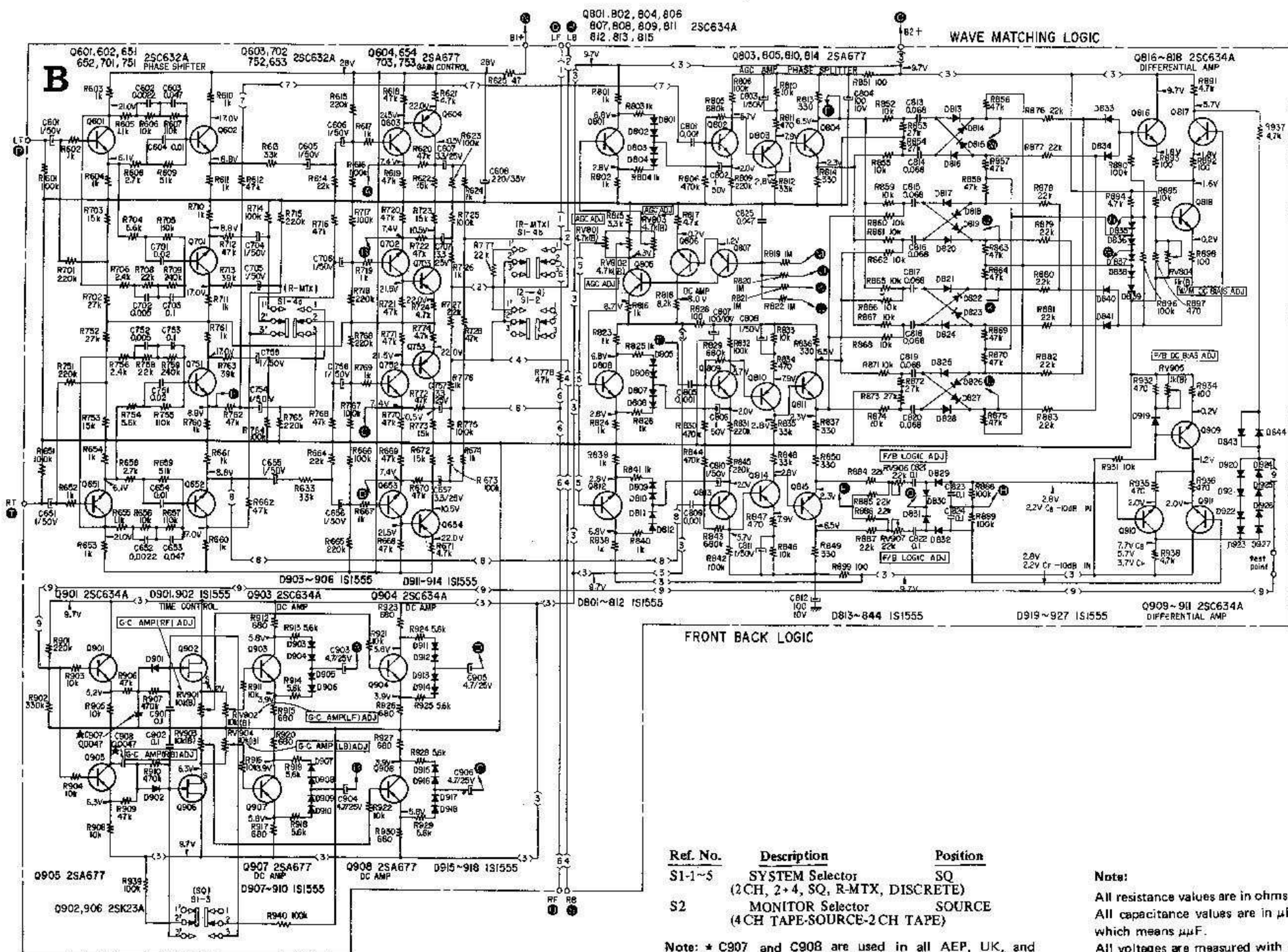
Note: (2)

Value	USA Model (Up to Serial No. 802,000) AEP Model (Up to Serial No. 801,600)	USA Model (Serial No. 802,001 and later) AEP Model (Serial No. 901,601 and later) Canada Model UK Model
R107	220 (1/2 W)	180 (1/2 W)

Ref. No.	Description	Position
S1-1 ~ 5	SYSTEM Selector (2 CH, 2 + 4, SQ, R-MTX, DISCRETE)	SQ
S2	MONITOR Selector (4 CH TAPE-SOURCE-2CH TAPE)	SOURCE

Note:
All resistance values are in ohms. k=1,000, M=1,000k.
All capacitance values are in μF except as indicated with p, which means pF.
All voltages are measured with a VOM having 20 k ohms/volt input impedances. No signal in.
Voltage variations may be noted due to normal production tolerances.

5-8. SCHEMATIC DIAGRAM (2) - SQ Decoder and Logic Section -



Ref. No.	Description	Position
S1-1~5	SYSTEM Selector (2CH, 2+4, SQ, R-MTX, DISCRETE)	SQ
S2	MONITOR Selector (4CH TAPE-SOURCE-2 CH TAPE)	SOURCE

Note: * C907 and C908 are used in all AEP, UK, and Canada Models, and in USA Model with Serial No. 801,001 and later.

Notes:

All resistance values are in ohms. k=1,000, M=1,000k.
 All capacitance values are in μF except as indicated with p, which means μF .
 All voltages are measured with a VOM having 20k ohms/volt input impedance. No signal in.
 Voltage variations may be noted due to normal production tolerances.
 Cf.... Center Front signal
 Cb.... Center Back signal