



QS
4-CHANNEL STEREO

TE SPECIFICATIONS

SERVICE MANUAL

4-CHANNEL RECEIVER
SANSUI QRX-6001



Sansui

SANSUI ELECTRIC CO., LTD.

This service manual is designed for service engineers to repair, adjust, maintain and order the replacement parts of the QRX-6001 correctly. When ordering the parts, use the stock number and parts name specifically referring to the Parts Locations & Parts Lists. For general usage and maintenance of the unit, please refer to the Operating Instructions attached with the unit.

TABLE OF CONTENTS

<u>Section</u>	<u>Title</u>	<u>Page</u>	<u>Section</u>	<u>Title</u>	<u>Page</u>
1. SPECIFICATIONS		2	6-6. F-2436A Driver Circuit Board		18
2. BLOCK DIAGRAM		3, 4	6-7. F-2475 CD-4 Sub Channel Circuit Board		19, 20
3. ALIGNMENTS AND ADJUSTMENTS		5	6-8. F-2086 CD-4 Main Circuit Board		21
3-1. Driver Circuit Board Adjustment		5, 6	6-9. F-2087 QS Matrix Circuit Board		21
3-2. FM IF Alignment		6	6-10. F-2088 QS Phase Control Circuit Board		22
3-3. FM Dial Calibration and RF Alignment		7	6-11. F-1461A Protector Circuit Board		22
3-4. FM Signal Meter, Mono Distortion and Muting Adjustment		7, 8	6-12. F-2427 Power Supply Circuit Board		23
3-5. MPX Alignment		8	6-13. F-2428 Filter & Power Supply Circuit Board		23
3-6. AM IF, Dial Calibration and RF Alignment		9, 10	6-14. F-2423 Filter & Switch Circuit Board		23
4. THREADING OF DIAL CORD		11	6-15. Interchangeability of Transistor and Diode		24
5. TROUBLESHOOTING CHART		12	6-16. Other Parts (Top Side)		24
5-1. Troubleshooting on Power Supply Section		12	6-17. Other Parts (Bottom Side)		24
5-2. Troubleshooting on Main Circuit Section		12	6-18. Other Parts (Front Side) Section 1		25
5-3. Troubleshooting on Tone Control Circuit Section		12	6-19. Other Parts (Front Side) Section 2		26
5-4. Troubleshooting on Phono Circuit Section		12	7. SCHEMATIC DIAGRAM OF TUNER SECTION		27
5-5. Troubleshooting on Tuner Circuit Section		13	8. SCHEMATIC DIAGRAM OF AUDIO SECTION		28
6. PARTS LOCATION AND PARTS LIST		14	9. SCHEMATIC DIAGRAM OF 4-CH SECTION		29
6-1. F-1519C FM Frontend Pack		14	10. SCHEMATIC DIAGRAM OF POWER SUPPLY SECTION		30
6-2. F-1507C Tuner Circuit Board		15, 16	11. PACKING LIST		back cover
6-3. F-1267 Equalizer Circuit Board		17	12. ACCESSORY PARTS LIST		back cover
6-4. F-2425 Tone Control Circuit Board		17			
6-5. F-2431 Power Supply Circuit Board for Tuner Section		17			

1. SPECIFICATIONS

AUDIO SECTION

CONTINUOUS RMS POWER OUTPUT	25W per channel × 4 (four channels driven)
LOAD IMPEDANCE	8Ω
POWER BAND	20 to 20,000Hz
TOTAL HARMONIC DISTORTION	less than 0.5% (from AUX)
Music power (IHF)	210W (4Ω 1,000Hz) 160W (8Ω 1,000Hz)
Continuous rms power output	30W × 4 (8Ω 1,000Hz) 30W × 2 (two channels driven, 8Ω 1,000Hz)
INTERMODULATION DISTORTION (at rated power output 70Hz:7,000Hz=4:1 SMPTE method)	less than 0.5% (from AUX)
FREQUENCY RESPONSE (at 1 Watt output)	15 to 30,000Hz ±1dB
EQUALIZATION	(RIAA curve) 30 to 15,000Hz ±1dB
DAMPING FACTOR	10 (8Ω)
INPUT SENSITIVITY AND IMPEDANCE (1,000Hz, for rated output)	
2-CHANNEL PHONO	2.5mV 50KΩ (max. input capability; more than 150mV) at 0.5% distortion)
4-CH./2-CH. AUX	100mV 50KΩ
4-CH./2-CH. TAPE-1	
PLAY Pin Jacks	100mV 50KΩ
4-CH./2-CH. TAPE-2	
PLAY Pin Jacks	100mV 50V
REC/PLAY DIN Socket	100mV 50V
RECORDING OUTPUT	
4-CH./2-CH. TAPE-1	
REC Pin Jacks	100mV
4-CH./2-CH. TAPE-2	
REC Pin Jacks	100mV
REC/PLAY DIN Socket	30mV
CHANNEL SEPARATION (at 1,000Hz)	
2-CH. PHONO	better than 50dB
4-CH./2-CH. AUX	better than 50dB
HUM AND NOISE (IHF)	
2-CH. PHONO	better than 70dB
4-CH./2-CH. AUX	better than 80dB
SWITCHES AND CONTROLS	
BASS	±10dB, -10dB at 50Hz
TREBLE	±10dB, -10dB at 10,000Hz
LOUDNESS	+8dB at 50Hz +3dB at 10,000Hz
QS SYNTHESIZER/DECODER	QS regular matrix system with QS Vario-matrix circuit
CD-4 DEMODULATOR	
Input Sensitivity	2.5mV (1 to 10mV adjustable)
Input Impedance	50KΩ
Separation (standard test signal at 1,000Hz)	
Left to Right	40dB
Front to Back	25dB
Frequency Response (standard test signal at REC output)	30 to 15,000Hz (main-channel)

TUNER SECTION

<FM>	
TUNING RANGE	88 to 108MHz
SENSITIVITY (IHF)	2.0μV (max. input capability: more than 120dB)
TOTAL HARMONIC DISTORTION	
MONO	less than 0.3%
STEREO	less than 0.5%
SIGNAL TO NOISE RATIO (mono)	better than 70dB
SELECTIVITY	better than 70dB
CAPTURE RATIO (IHF)	less than 1.5dB
IMAGE REJECTION	better than 75dB
IF REJECTION	better than 90dB
SPURIOUS RESPONSE	better than 80dB
STEREO SEPARATION (at 1,000Hz)	
FREQUENCY RESPONSE	30 to 15,000Hz ± 0.5 -3.0 dB
FM DE-EMPHASIS	50μS, 75μS
ANTENNA INPUT IMPEDANCE	300Ω Balanced, 75Ω Unbalanced

<AM>

TUNING RANGE	535 to 1,605Hz
SENSITIVITY (bar antenna)	53dB/m
SELECTIVITY	better than 30dB
IMAGE REJECTION	better than 80dB/m
IF REJECTION	better than 80dB/m

OTHERS

SEMICONDUCTORS

TRANSISTORS	101
FETs	9
DIODES	54
ZENER DIODES	8
ICs	9

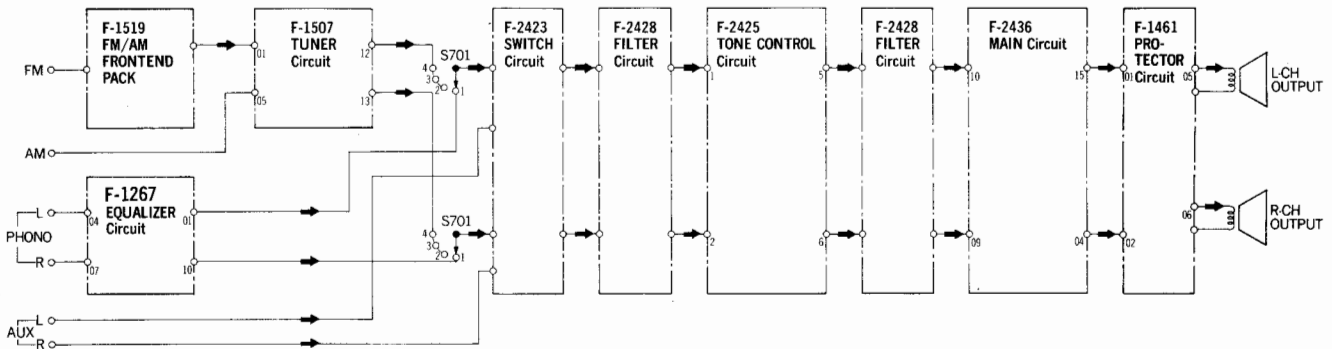
POWER REQUIREMENTS

VOLTAGE	100, 117, 220, 240V 50/60Hz
CONSUMPTION	190W (rated)
DIMENSIONS	540mm (21 $\frac{5}{16}$ ") W 161mm (6 $\frac{3}{8}$ ") H 403mm (15 $\frac{7}{8}$ ") D
WEIGHT	20.4 Kg (45.0 lbs) net 23.1 Kg (50.9 lbs) packed

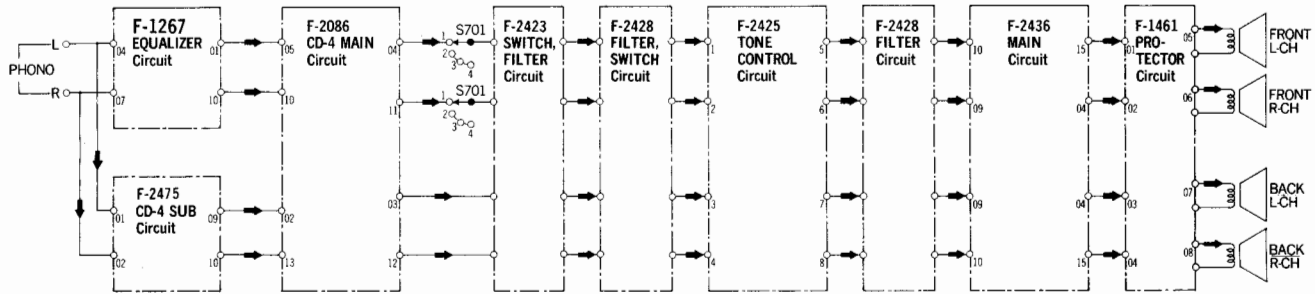
* Design and specifications subject to change without notice for improvements.

2. BLOCK DIAGRAM

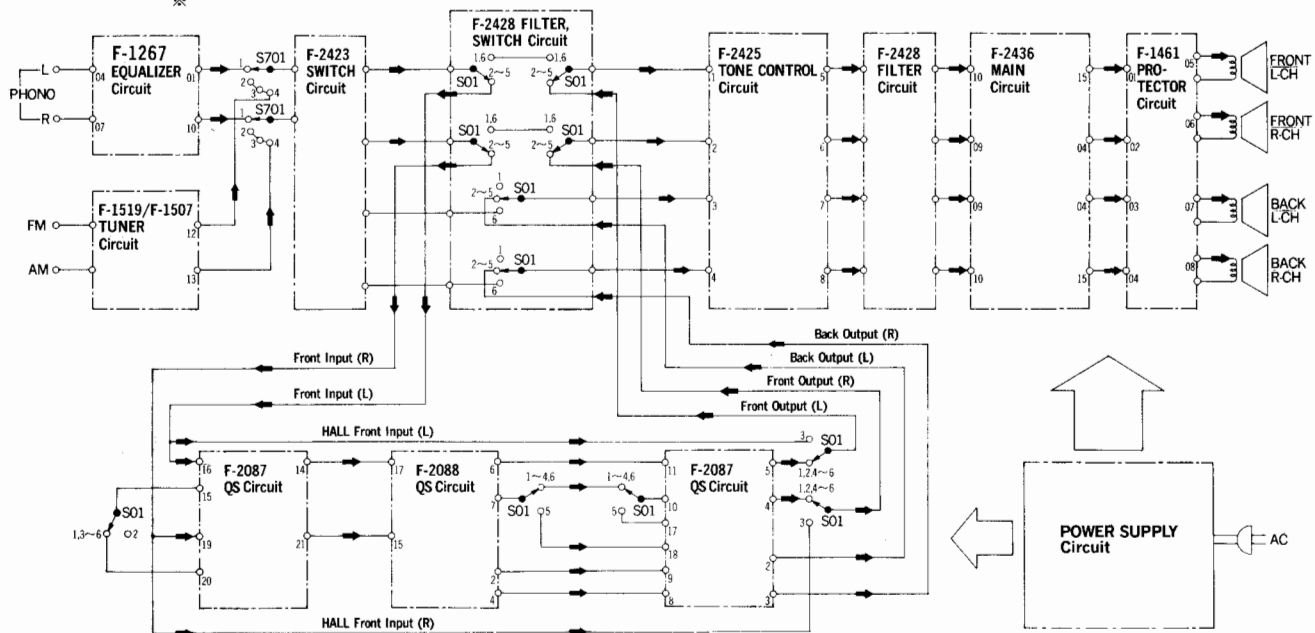
2-CH DIRECT OPERATIVE BLOCK DIAGRAM



CD-4/4-CH DIRECT OPERATIVE BLOCK DIAGRAM



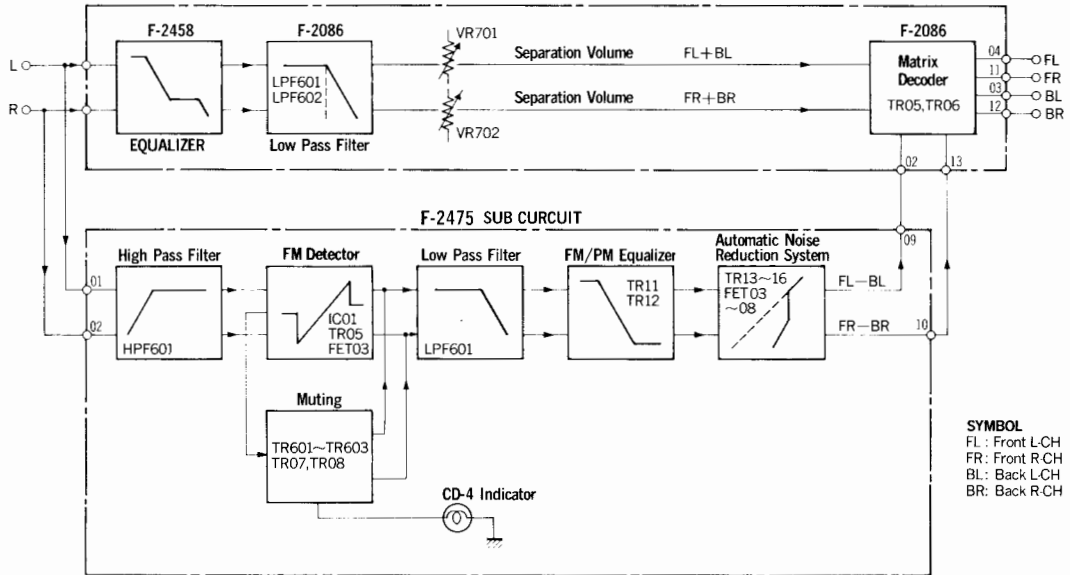
SYNTHESIZER, QS, SQ, OPERATIVE BLOCK DIAGRAM



- | | |
|--|--|
| <p>S701: SELECTOR</p> <ol style="list-style-type: none"> 1. PHONO 2. FM AUTO 3. FM MONO (FM MUT. OFF) 4. AM | <p>S01: FUNCTION</p> <ol style="list-style-type: none"> 1. 2-CH 2. SYNTHESIZER SURROUND 3. SYNTHESIZER HALL 4. QS ※5. SQ 6. CD-4/DIRECT |
|--|--|

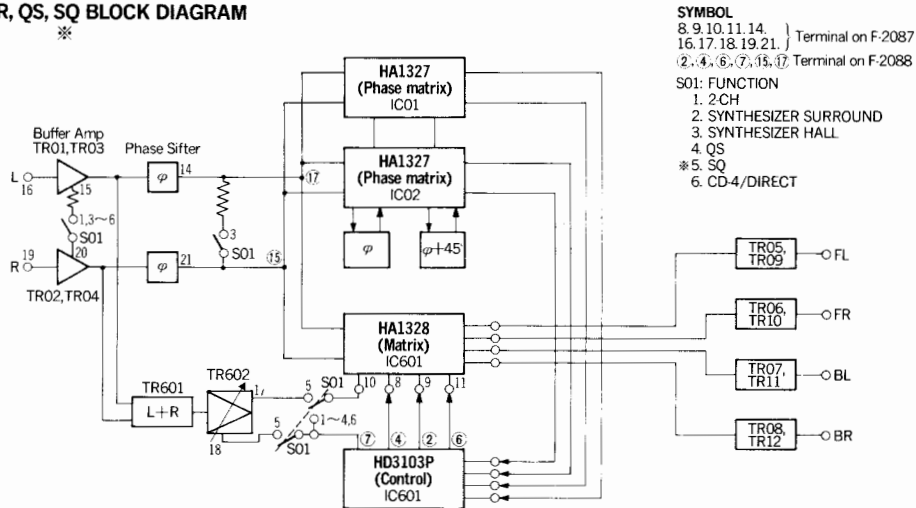
※SQ is a trade mark of CBS, INC''

CD-4/4-CH DIRECT BLOCK DIAGRAM

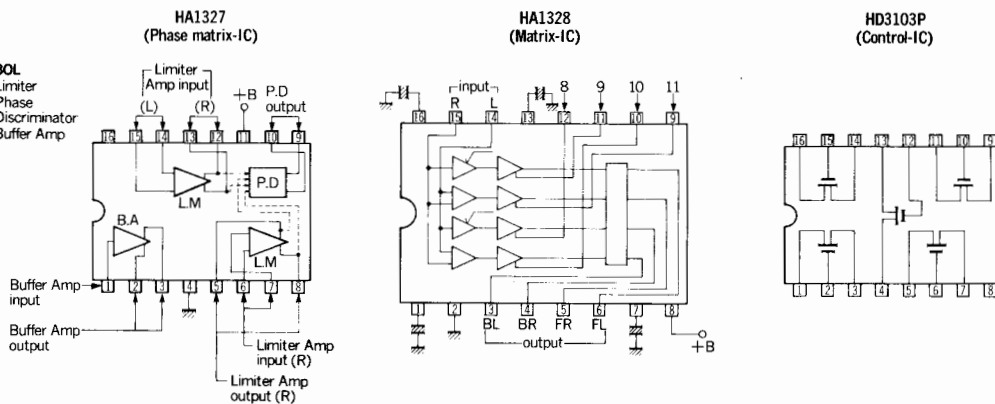


SYMBOL
FL: Front L-CH
FR: Front R-CH
BL: Back L-CH
BR: Back R-CH

SYNTHESIZER, QS, SQ BLOCK DIAGRAM



SYMBOL
L.M: Limiter
P.D: Phase Discriminator
B.A: Buffer Amp



3. ALIGNMENTS AND ADJUSTMENTS

Abbreviation

Equipment

AM FM Generator Oscilloscope Genescope
 AM Standard Signal Generator AM SSG
 FM Standard Signal Generator..... FM SSG
 FM Stereo Generator Stereo SG
 Oscilloscope..... Scope
 Audio Oscillator Audio Osc.
 Distortion Meter Dist. Meter

Others

Clockwise CW.
 Counterclockwise CCW.
 Antenna ANT.
 Modulation MOD.

3-1. Driver Circuit Board Adjustment (See Figs. 3-1 and 3-2)

- Note:** 1. Master VolumeMinimum
 2. Speaker Selector.....SYSTEM (A)
 3. Make the SP terminals free (no load).
 4. Confirm the AC power Supply voltage.
 5. After adjustment, run the unit for more than 5 minutes, then check and readjust necessary.
 6. Room temperature should be 18~28° (65~83°F) for bias current adjustment.

STEP	SUBJECT	EQUIPMENT	MEASURE OUTPUT	ADJUST	ADJUST FOR	CONDITION
1	DC 0V Front L-CH	DC volt meter	Speaker terminal Front L-CH Fig. 3-1	F-2436 VR01 Fig. 3-2	0V ± 10mV	◦Step down meter's range accordingly ◦Change lead's polarity if meter swings backward
2	DC 0V Front R-CH	DC volt meter	Speaker terminal Front R-CH Fig. 3-1	F-2436 VR02 Fig. 3-2	0V ± 10mV	Same as above
3	DC 0V Rear L-CH	DC volt meter	Speaker terminal Rear L-CH Fig. 3-1	F-2436 VR01 Fig. 3-2	0V ± 10mV	Same as above
4	DC 0V Rear R-CH	DC volt meter	Speaker terminal Rear R-CH Fig. 3-1	F-2436 VR02 Fig. 3-2	0V ± 10mV	Same as above
5	Bias current Front L-CH	DC milliammeter	F-2427 F01 Fig. 3-2	F-2436 VR03 Fig. 3-2	30 ± 3mA	Same as above
6	Bias current Front R-CH	DC milliammeter	F-2427 F02 Fig. 3-2	F-2436 VR04 Fig. 3-2	30 ± 3mA	Same as above
7	Bias current Front L-CH	DC milliammeter	F-2427 F05 Fig. 3-2	F-2436 VR03 Fig. 3-2	30 ± 3mA	Same as above
8	Bias current Rear R-CH	DC milliammeter	F-2427 F06 Fig. 3-2	F-2436 VR03 Fig. 3-2	30 ± 3mA	Same as above

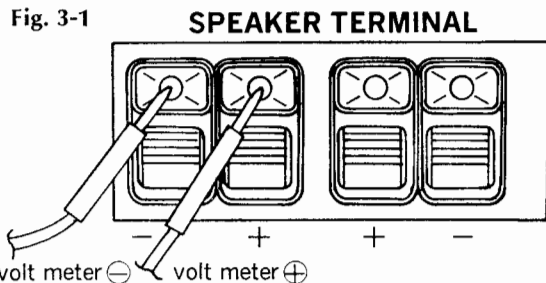
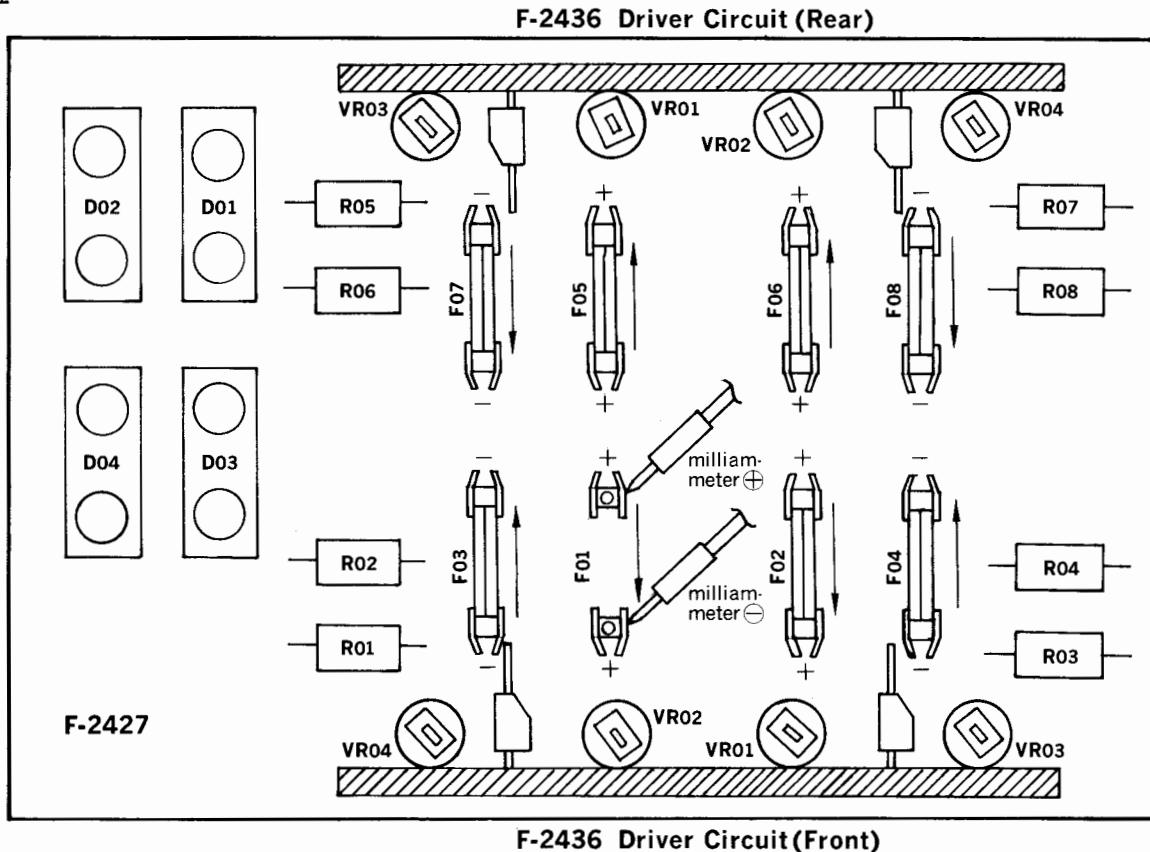


Fig. 3-2

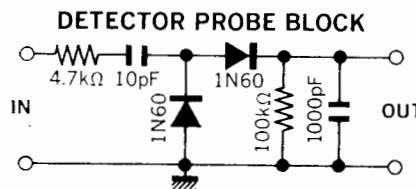
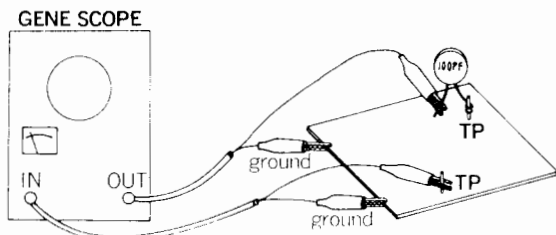


F-2436 Driver Circuit (Front)

Note: Arrow heads show the directions of current.

3-2. FM IF Alignment (See Figs. 3-6, 3-7, 3-8 and 3-9 on page 10)

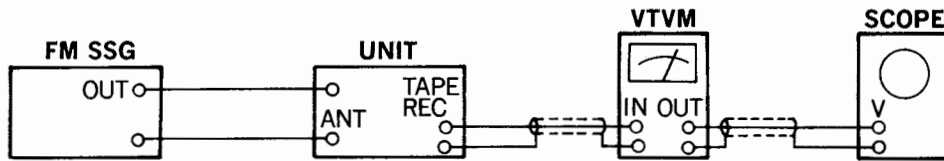
- Note:
1. Selector.....FM MONO
 2. Master VolumeMinimum
 3. Output level of genescopeAfter attenuator
 4. Sweepwidth.....1.5~2cm/150kHz
 5. Frequency band9.5~11.5MHz
 6. ConnectionConnect the output of genescope to TP.01 through 100pF ceramic capacitor.



STEP	SUBJECT	FEED SIGNAL		MEASURE OUTPUT	ADJUST	ADJUST FOR	CONDITION
		FROM	TO				
1	IF coil	Output 65dB Genescope	F-1519 TP01 Fig. 3-9	F-1507 TP01 Fig. 3-7 Use Detector Probe	F-1519 L05 Fig. 3-8	Max. IF waveform 1 as Fig. 3-6	
2	Discriminator coil	Output 70dB Genescope	Same as above	F-1507 TP.03 Direct from Genescope Fig. 3-7	F-1507 T01 T02 Fig. 3-7	Max. linearity of S curve Set the center of S curve to of waveform 3 as Fig. 3-6	

3-3. FM Dial Calibration and RF Alignment (See Fig. 3-8 on page 10)

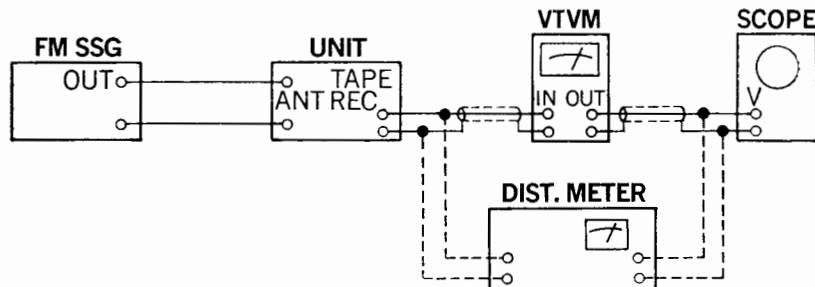
- Note:** 1. SelectorFM MONO
 2. Master Volume.....Minimum
 3. Confirm start point of dial pointer before alignment.



STEP	SUBJECT	FEED SIGNAL		MEASURE OUTPUT	ADJUST	ADJUST FOR	CONDITION
		FROM	TO				
1	90MHz Dial Calibration	90MHz ANT input 60dB 400Hz (100% MOD) FM SSG	ANT terminal 300Ω	REC OUT L or R-CH VTVM & Scope	F-1519 L06	Max. output	◦Set Dial on 90MHz
2	106MHz Dial Calibration	106MHz ANT input 60dB 400Hz (100% MOD) FM SSG	Same as above	Same as above	F-1519 TC04	Same as above	◦Set Dial on 106MHz
3	Confirm 90MHz Dial Calibration	Same as Step 1	Same as above	Same as above		Confirm 90MHz Dial Calibration	◦If not, repeat from Step 1
4	Confirm 106MHz Dial Calibration	Same as Step 2	Same as above	Same as above		Confirm 106MHz Dial Calibration	◦If not, repeat from Step 2
5	90MHz RF Adj.	90MHz ANT input 50dB 100Hz (100% MOD) FM SSG	Same as above	Same as above	F-1519 L01, L02, L03	Max. output	◦Tune FM SSG (Max. Signal Meter)
6	106MHz RF Adj.	106MHz ANT input 50dB 400Hz (100% MOD) FM SSG	Same as above	Same as above	F-1519 Trimmer TC01, TC02 TC03	Same as above	Same as above

3-4. FM Signal Meter, Mono Distortion and Muting Adjustment (See Fig. 3-7 on page 10)

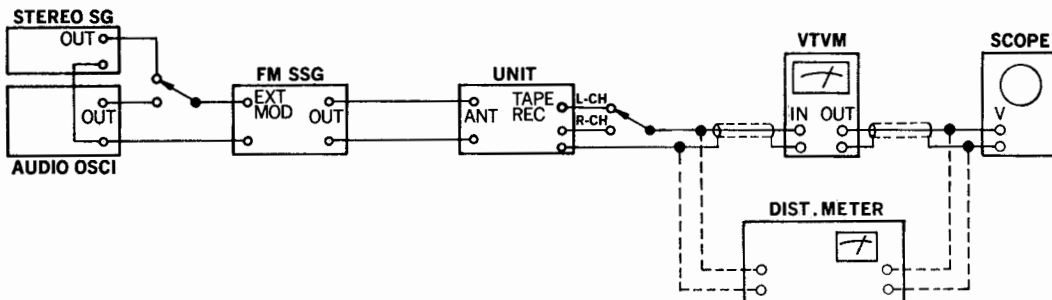
- Note:** 1. SelectorFM MONO
 2. Master Volume.....Minimum



STEP	SUBJECT	FEED SIGNAL		MEASURE OUTPUT	ADJUST	ADJUST FOR	CONDITION
		FROM	TO				
1	Signal Meter	98MHz ANT input 60dB 400Hz (100% MOD) FM SSG	ANT terminal 300Ω	Signal Meter	VR02 Fig. 3-7	4.3 on meter	◦Tune FM SSG (Max. indication of Signal Meter) ◦Before adjustment, if meter swings out or not enough, preadjust VR02 until the reasonable point
2	Distortion	Same as above	Same as above	REC OUT L or R-CH Dist. meter & Scope	T02 Fig. 3-7	Min. distortion	◦Tune FM SSG (Max. indication of signal meter)
3	Tune Meter	Same as above	Same as above	TUNE Meter	VR01 Fig. 3-7	Center on Tune Meter	◦Tune the Tune Meter to Center even FM inter-station noise exists
4	Muting Level	98MHz ANT input 32dB 400Hz (100% MOD) FM SSG	Same as above	REC OUT L or R-CH VTVM & Scope	VR04 Fig. 3-7	Audio signal just muted	

3-5. MPX Alignment (See Fig. 3-7 on page 10)

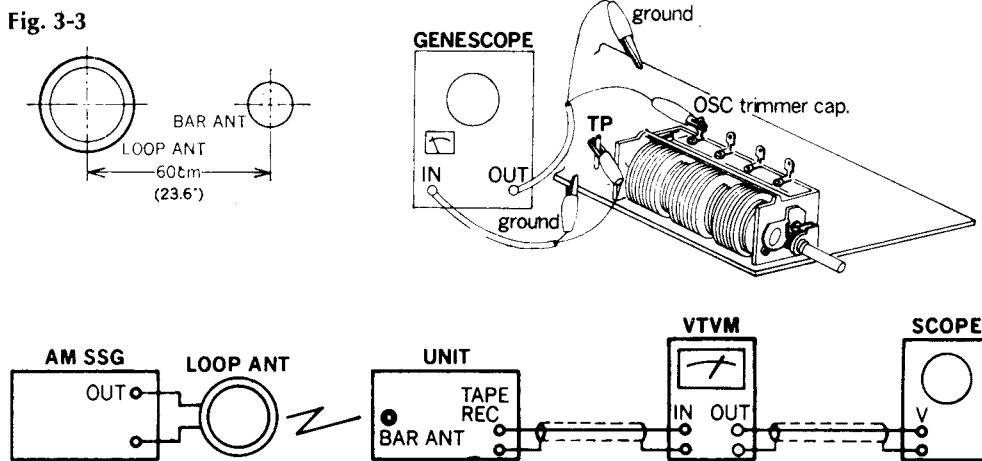
- Note: 1. Selector FM AUTO
2. Master Volume Minimum



STEP	SUBJECT	FEED SIGNAL		MEASURE OUTPUT	ADJUST	ADJUST FOR	CONDITION
		FROM	TO				
1	19kHz coil	98MHz ANT input 60dB FM SSG Pilot 19kHz (10% MOD) L-CH 1kHz (45% MOD) R-CH (0% MOD) Stereo SG	ANT terminal 300Ω	REC OUT L-CH VTVM & Scope	L05 Fig. 3-7	Max. output	◦Tune FM SSG (Max. indication of signal meter)
2	Separation	Same as above	Same as above	REC OUT R-CH VTVM & Scope	VR03 Fig. 3-7	Min. output	
3	Distortion	Same as above	Same as above	REC OUT L-CH Dist. meter & Scope			◦If less than 0.5% slightly adjust L05
4	Confirm Separation	98MHz ANT input 60dB FM SSG Pilot 19kHz (10% MOD) L-CH (0% MOD) R-CH 1kHz (45% MOD) Stereo SSG	Same as above	REC OUT L-CH VTVM & Scope			◦If less than 40dB adjust VR03

3-6. AM IF, Dial Calibration and RF Alignment (See Figs. 3-4, 3-5, 3-7 and 3-8 on page 10)

- Note:**
1. Selector..... AM
 2. Master Volume Minimum
 3. Confirm start point of dial pointer before alignment.
 3. The loop antenna is required to obtain complete adjustment for AM RF circuit. In this case, as the electro-magnetic field is attenuated by the distance between the loop antenna and BAR ANT, increase more 26dB by attenuator of AM SSG than each ANT input level shown in the following steps. (See Fig. 3-3)
 5. After adjustment of signal meter, confirm the meter's swing on FM. (If meter swang out or not enough, readjust VR02.) (See Page 7, 8)



STEP	SUBJECT	FEED SIGNAL		MEASURE OUTPUT	ADJUST	ADJUST FOR	CONDITION
		FROM	TO				
1	IF coil	Output 70dB Genescope	OSC trimmer cap. TC05 Fig. 3-8	TP04 (Fig. 3-7)	T04	Max. IF waveform as Fig. 3-4	○ Turn core T08 & T09 CCW.
2	IF coil	Output 60dB Genescope	Same as above	TP04	LC02	Max. IF waveform 2 Fig. 3-5	○ If not, readjust 1 & 2 slightly
3	535kHz Dial calibration	535kHz ANT input 60dB 400Hz (30% MOD) AM SSG	ANT terminal	REC OUT L or R-CH VTVM & Scope	T03	Max. output	○ If broadcasting station is near, it might be used
4	1400kHz Dial Calibration	1400kHz ANT input 60dB 400Hz (30% MOD) AM SSG	Same as above	Same as above	Trimmer TC05	Same as above	Same as above
5	Confirm 535kHz Dial Calibration	535kHz ANT input 60dB 400Hz (30% MOD) AM SSG	Same as above	Same as above		Confirm 535kHz Dial Calibration	○ If not, repeat from Step 3
6	Confirm 1400kHz Dial Calibration	1400kHz ANT input 60dB 400Hz (30% MOD) AM SSG	Same as above	Same as above		Confirm 1400kHz Dial Calibration	○ If not, repeat from Step 4
7	Confirm 1000kHz Dial Calibration	1000kHz ANT input 60dB 400Hz (30% MOD) AM SSG	Same as above	Same as above		Confirm 1000kHz Dial Calibration	○ If not, repeat from Step 3, 4
8	600kHz RF Adj.	600kHz ANT input 50dB 400Hz (30% MOD) AM SSG	Same as above	Same as above	Bar ANT L701	Max. output	
9	1400kHz RF Adj.	1400kHz ANT input 50dB 400Hz (30% MOD) AM SSG	Same as above	Same as above	Trimmer TC06	Same as above	

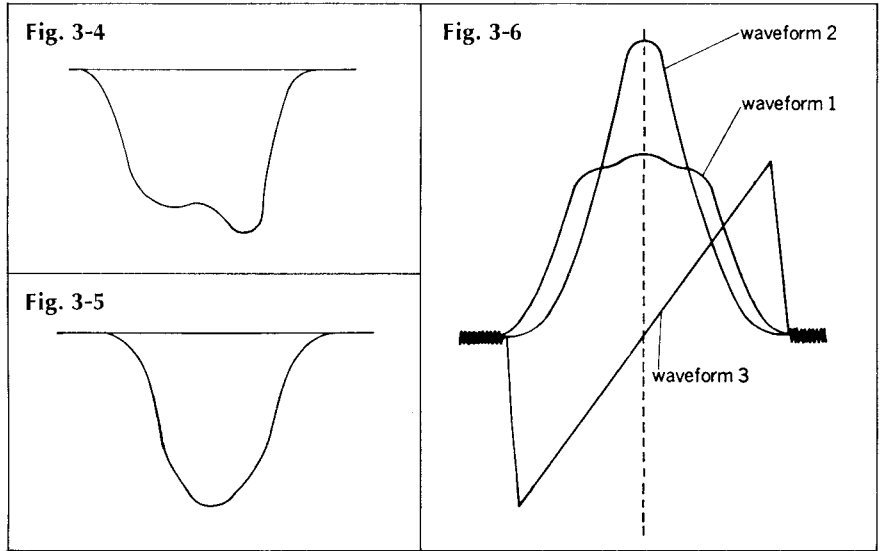


Fig. 3-7

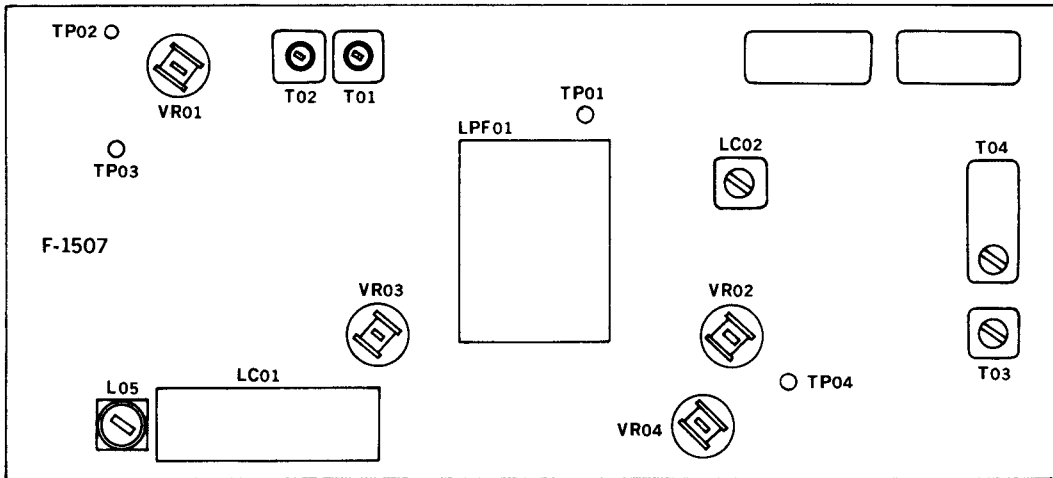


Fig. 3-8

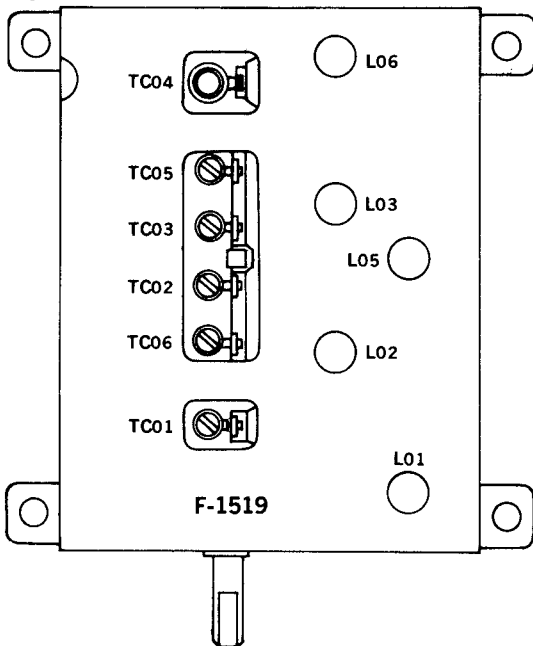
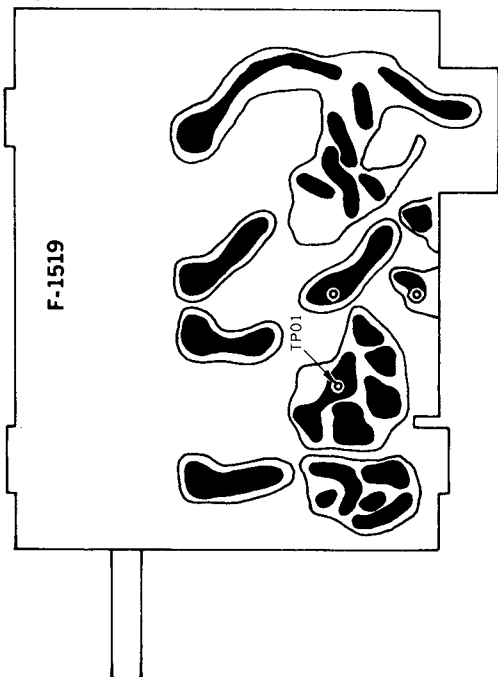
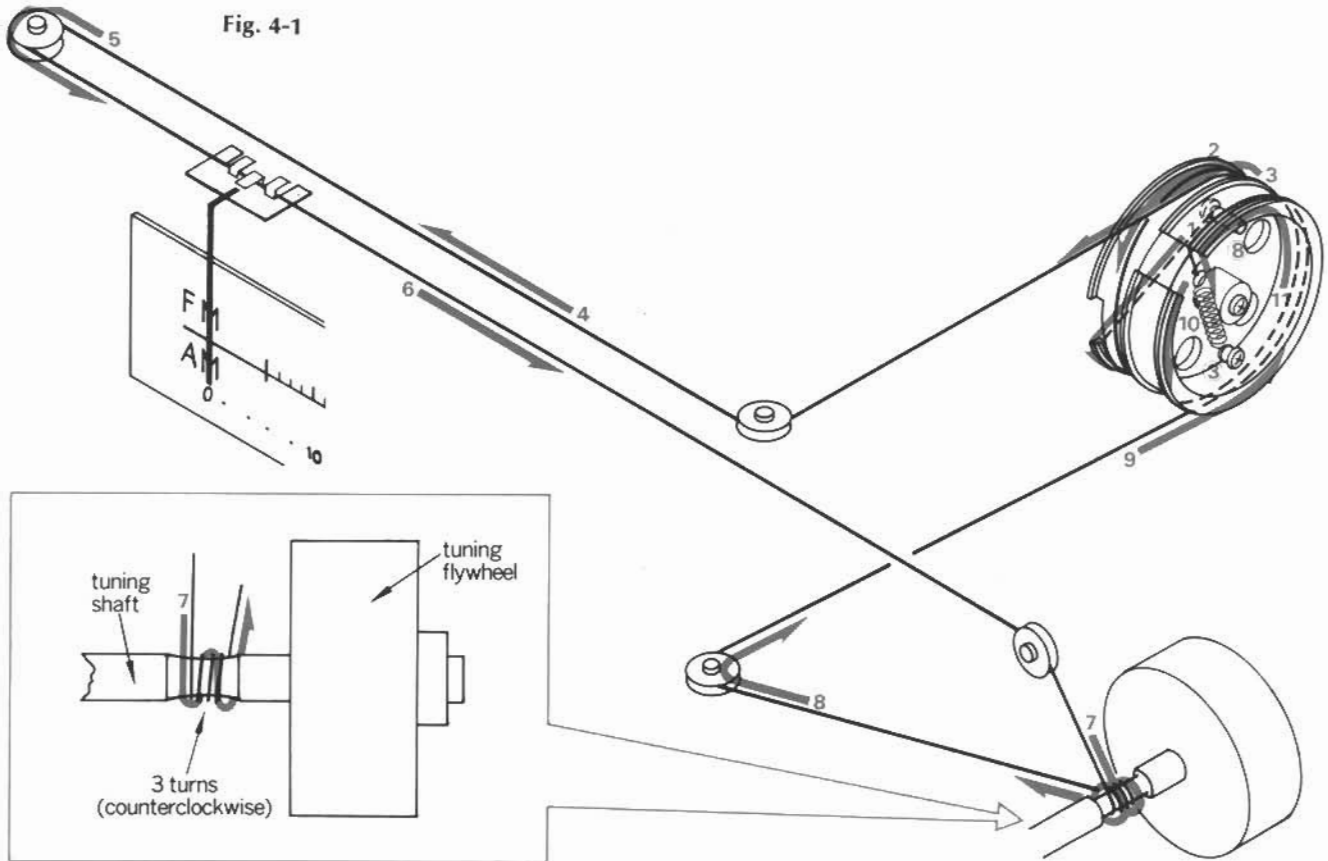


Fig. 3-9



4. THREADING OF DIAL CORD



1. Threading of Dial Cord

Thread dial cord in numerical order from 1 to 11 as shown in Fig. 4-1.

- 1) Close the variable capacitor completely (Max. capacitance) and tie cord to number ⑧ screw of the dial pulley.
- 2) Thread cord in the direction of arrow from 1 to 6 then wind cord three turns around the tuning shaft counterclockwise.
- 3) Thread cord in the direction of arrow from 7 to 8 then wind it $1\frac{1}{2}$ turns on the dial pulley from 11.
- 4) After 11 tie cord to dial spring of the dial pulley.

*When you perform procedure 4) successfully, please refer to the followings.

- ① To strengthen the dial cord tension, hold around the end of cord and pull it toward the Front Panel.
 - ② Then, turn tuning shaft counterclockwise, as the cord tension will be more constantly obtained.
 - ③ Tie the cord to dial spring of the dial pulley (same as procedure 4).
- 5) After procedures, lock the knots of cord with paint.

Stock No.	Description
6036050	Dial Cord (0.6mmφ)
6906041	Spring (G)

5. TROUBLESHOOTING CHART

5-1. Troubleshooting on Power Supply Section

Symptom	Check Point	Cause & What to Do
1. Each lamp not lighted		<ul style="list-style-type: none"> 1. Imperfect contact of power supply plug 2. Power fuse, F701 opens 3. Defective power switch, S11 4. F05 on F-2456 opens
2. Each indicator lamp not lighted		<ul style="list-style-type: none"> 5. Defective diode, D06 on F-2427 6. Defective FUNCTION switch, S01 (i, j)

5-2. Troubleshooting on Main Circuit Section

1. Both channels inoperative

1-1. +37V Supplied to terminal 13 , 06 on F-2436	<ul style="list-style-type: none"> 7. Defective Relay, S01 (a, b) on F-1461 8. Defective TR01, TR02 on F-1461 9. F06 on F-2456 opens
--	---

2. One channel inoperative

2-1. Quick acting fuse on F-2427 opens	
<ul style="list-style-type: none"> 1) DC bias Current not adjustable 2) DC bias current adjustable 	<ul style="list-style-type: none"> 10. Defective Power transistor, TR701, TR705 (TR702, TR706) 11. Defective TR11, TR13 (TR12, TR14) on F-2436 12. Defective TR07 (TR08) on F-2436 13. Change quick acting fuse

3. Quick acting fuse on F-2427 not opens	14. Defective TR01, TR03, TR05, TR09 (TR02, TR04, TR06, TR10) on F-2436
--	---

5-3. Troubleshooting on Tone Control Circuit Section

1. Both channels inoperative

1-1. +38V not supplied to emitter of TR01 on F-2428	1. Defective TR01~TR03 on F-2428
---	----------------------------------

2. One channel inoperative

2-1. Reverse two lead wire connections from the output terminals of 05 and 06 on F-2425	
<ul style="list-style-type: none"> 1) Inoperative channel reverses 2) Inoperative channel not reverses 	<ul style="list-style-type: none"> 2. Defective main circuit section 3. Defective TR01, TR05, TR09 (TR02, TR06, TR10) on F-2425

5-4. Troubleshooting on Phono Circuit Section

1. Both channels inoperative

1-1. +36V not supplied to terminals of 05 , 06 on F-2458	1. Defective power supply section
--	-----------------------------------

2. One channel inoperative

2-1. Reverse two lead wire connections from the input terminal of L and R on F-1267	
<ul style="list-style-type: none"> 1) Inoperative channel reverses 2) Inoperative channel not reverses 	<ul style="list-style-type: none"> 2. Imperfect contact of turntable output cord 3. Defective turntable 4. Defective TR601, TR603 (TR02, TR04) on F-1267

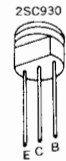
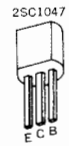
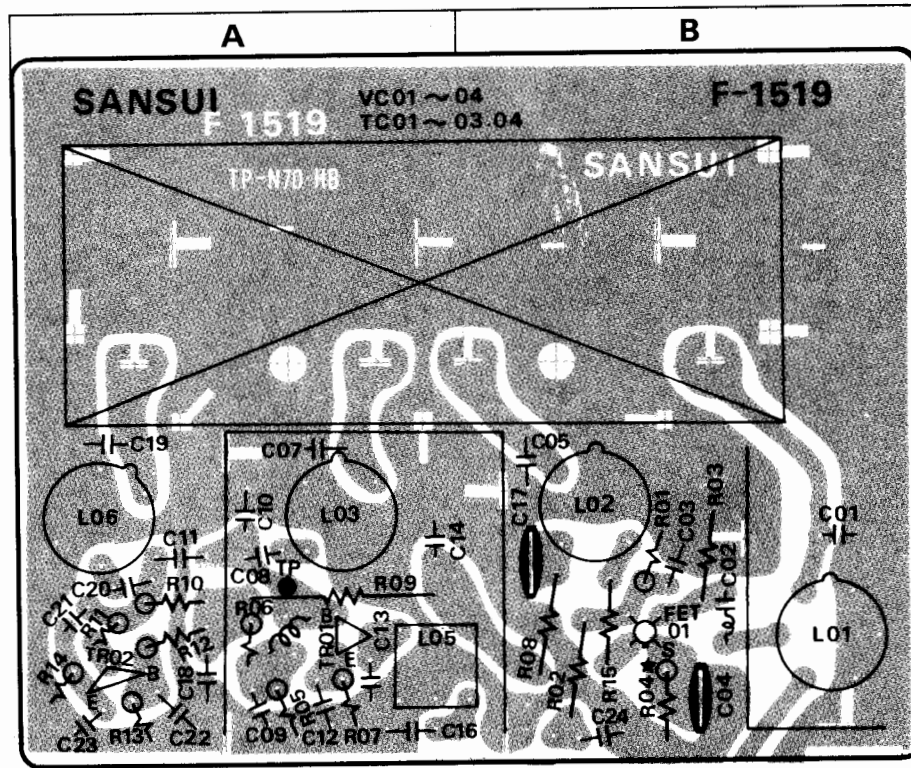
5-5. Troubleshooting on Tuner Circuit Section

Symptom	Check Point	Cause & What to Do
1. Both FM and AM inoperative		
1-1. +12V not supplied to emitter of TR01 on F-2431		1. Defective TR01 on F-2431 2. Defective ZD01 on F-2431
1-2. +12V supplied to emitter of TR01 on F-2431		3. Defective IC05 on F-1507 4. Defective L.P.F on F-1507
2. FM inoperative		
2-1. +12V not supplied to terminal of 17 on F-1507		5. Defective C03, C04, C07, C11, C15 on F1507
2-2. +12V not supplied to terminal of 18 on F-1507		6. Defective frontend pack, F-1519
2-3. +12V supplied to terminals of 17 , 18 on F-1507		
1) Signal meter inoperative (Meter circuit on F-1507 is normally operative)		7. Incorrect adjustment of frontend pack, F-1516 8. Defective frontend pack, F-1519 9. Defective TR01~TR04 on F-1507 10. Defective CF01, CF02 on F-1507
2) Signal meter operative		11. Defective IC01~IC03 on F-1507 12. Defective diode, D01, D02 on F-1507 13. Defective discriminator coil, T01, T02, or out of adjustment
3. Inoperative MPX circuit		
3-1. FM reception inoperative when setting SELECTOR switch to FM OUT		14. Poor sensitivity due to incorrect tracking IF adjustment 15. Incorrect adjustment of muting volume, VR04
3-2. FM muting function inoperative		16. Defective selector, S701 (f) 17. Defective muting volume, VR04
3-3. MPX signal including R and L-ch not supplied to points 11 , 12 , of IC04		18. Defective IC04 on F-1507
3-4. No channel separation and stereo indicator not lighted		19. Defective L05, LC01 on F-1507 or out of adjustment 20. Defective separation volume, VR03 21. Incorrect adjustment of muting volume, VR04 22. Defective muting volume, VR04 23. Defective Selector, S701 (g) 24. Defective IC05 on F-1507 25. Defective TR02 on F-2431 26. Defective stereo indicator, PL701
4. Signal meter circuit inoperative		
4-1. FM or AM sound can be heard		27. Defective transistor, TR05 TR06 on F-1507 28. Defective diode, D03~D07 on F-1507 29. Defective meter volume, VR02 or out of adjustment 30. Defective signal meter
5. AM inoperative		
5-1. Signal meter operative (AM sound can not be heard)		31. Shorted transistor, TR09 on F-1507 32. Defective IC05 on F-1507 33. Defective low pass filter, LPF01 on F-1507
5-2. Signal meter inoperative (AM sound can not be heard)		34. Defective IC06 on F-1507 35. Bar antenna coil, L701 opened or out of adjustment 36. Opened OSC coil T03, IF coil T04 or LC02 on F-1507

6. PARTS LOCATION AND PARTS LIST

6-1. F-1519C FM Frontend Pack (Stock No. 7510650 Complete Circuit Board F-1519C)

Conductor Side



Parts List

Parts No.	Stock No.	Description	Position	Parts No.	Stock No.	Description	Position
TR01	0305800, 1	2SC1047 (A, B) } Transistor	A	C13	0660121	120pF	A
TR02	0305790, 1		2SC930 (C, D) }	A	C14	0657223	0.022μF
FET01	0370131, 2	3SK39 (L, K) FET	B	C16	0660331	330pF	A
L01	4200640	FM ANT Coil	B	C17	0659015	2200pF	B
L02	4210220	FM RF Coil	B	C18	0657223	0.022μF	A
L03	4210220	FM RF Coil	A	C19	0669350	15pF	50V C.C.
L04	4290110	Choke Coil	A	C20	0657102	1000pF	
L05	4235910	FM IF Coil	A	C21	0669369	8.2pF	A
L06	4220430	FM OSC Coil	A	C22	0657223	0.022μF	A
TC04	1230090	Trimmer Capacitor	A	C23	0669221	22pF	A
VC	1220130	FM AM Variable Capacitor	A	C24	0657223	22000pF	B
C01	0669342	5.6pF	B	R01	0106105	1MΩ ¼W C.R. (E.L.R)	B
C02	0657102	1000pF	B	R02	0113104	100kΩ	¼W S.R.
C03	0657223	0.022μF	B	R03	0113104	100kΩ	
C04	0659015	2200pF	B	R04	{ 0106101	100Ω (3SK41(L, B))	¼W C.R.
C05	0669345	10pF	B		{ 0106151	150Ω (3SK41(K, C))	
C06	0679023	0.39pF	500V Gimmick. C.	R05	0106392	3.9kΩ	A
C07	0669345	10pF	A	R06	0106123	12kΩ	¼W C.R.
C08	0669210	10pF	A	R07	0106392	3.9kΩ	
C09	0657102	1000pF	A	R08	0113121	120Ω	¼W S.R.
C10	0661220	22pF	A	R09	0113271	270Ω	
C11	0669003	2.2pF	A	R10	0106392	3.9kΩ	A
C12	0657223	0.022μF	A	R11	0106121	120Ω	A
				R12	0106682	6.8kΩ	¼W C.R.
				R13	0106222	2.2kΩ	
				R14	0106182	1.8kΩ	A
				R15	0113470	47Ω ¼W S.R.	B

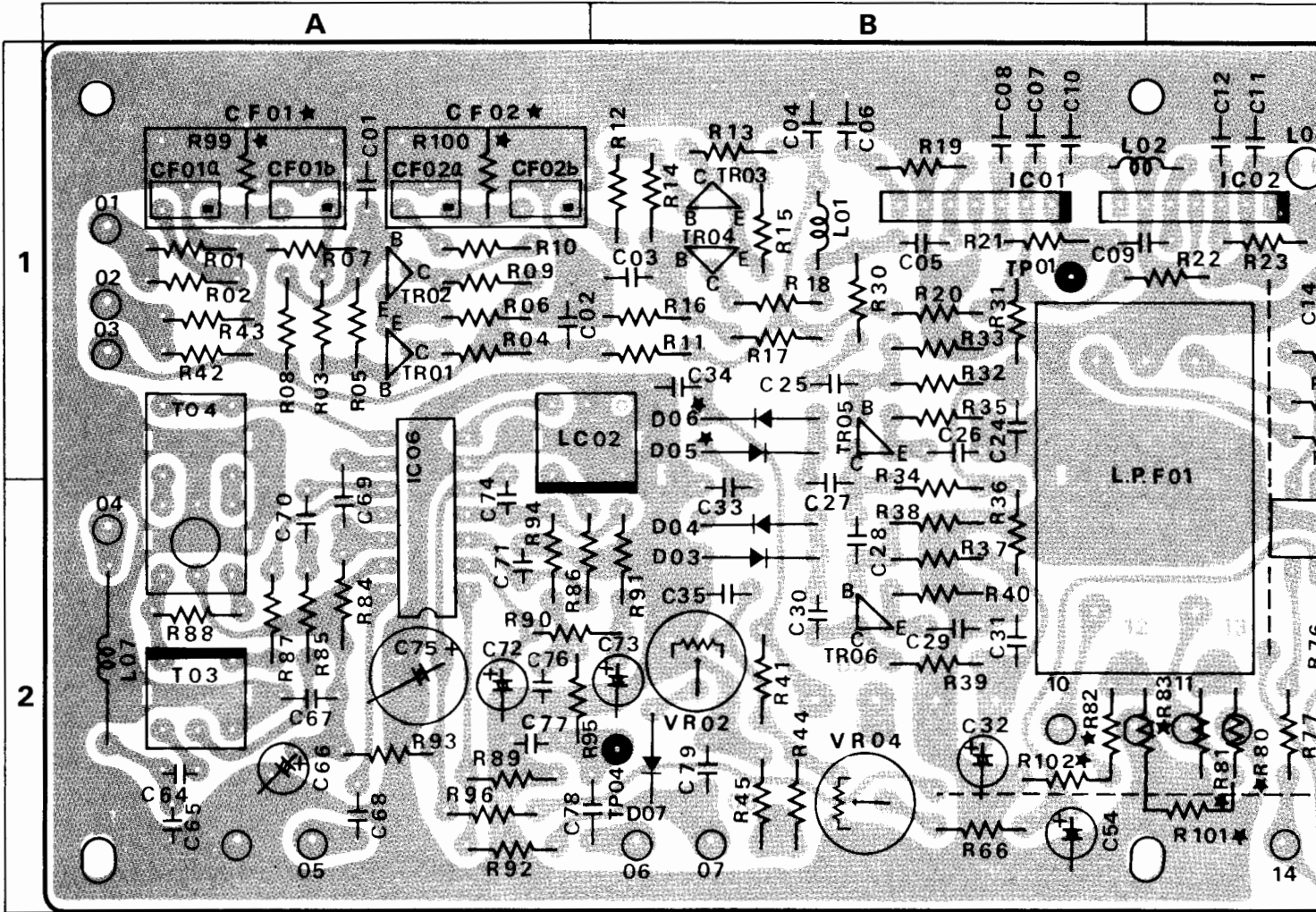
6-2. F-1507C Tuner Circuit Board (Stock No. 7521000 Complete Circuit Board F-1507C)

Parts List

Parts No.	Stock No.	Description	Position
TR01	0306112, 3	2SC738 (C, D)	1 A
TR02	0306112, 3	2SC738 (C, D)	1 A
TR03	0306112, 3	2SC738 (C, D)	1 B
TR04	0306112, 3	2SC738 (C, D)	1 B
TR05	0306112, 3	2SC738 (C, D)	1 B
TR06	0306112, 3	2SC738 (C, D)	2 B
TR09	0305731, 2	2SC711 (E, F)	2 C
IC01	0360120	μ PC555H	1 B
IC02	0360120	μ PC555H	1 B, C
IC03	0360120	μ PC555H	1 C
IC04	0360080	HA1120	1, 2 D
IC05	0360140	HA1149	2 C
IC06	0360150	HA1151	1, 2 A
D01	0311060	1N60P	1 D
D02	0311060	1N60P	1 D
D03	0310331	1N60	2 B
D04	0310331	1N60	2 B
D05	0310331	1N60	1 B
D06	0310331	1N60	1 B
D07	0310331	1N60	2 B
D901	0310331	1N60	
T01	4235750	FM Discriminator Coil	1 C
T02	4235760		1 C
T03	4220590		2 A
T04	0910280		1, 2 A
L01	4900200	10 μ H Inductor Coil	1 B
L02	4900200	10 μ H Inductor Coil	1 B, C
L03	4900200	10 μ H Inductor Coil	1 C
L04	4900100	3.3 μ H Inductor Coil	1 C
L05	4240720	19kHz MPX Coil	2 D
L07	4290011	3.5 μ H Peaking Coil	2 A
LC01	4240710	MPX Coil Block	2 C, D
LC02	4230620	AM IF Coil	1, 2 A B
LPF01	0910210	Low Pass Filter	1, 2 B C
CF02a	0910150	Ceramic Filter	1 A
CF02b	0910150	Ceramic Filter	1 A
VR01	1035150	22k Ω (B)	1 D
VR02	1035170	47k Ω (B)	2 B
VR03	1035070	1k Ω (B)	2 C
VR04	1035190	100k Ω (B)	2 B
C01	0657223	0.022 μ F	1 A
C02	0657223	0.022 μ F	1 A
C03	0657223	0.022 μ F	1 B
C04	0657223	0.022 μ F	1 B
C05	0657223	0.022 μ F	1 B
C06	0657223	0.022 μ F	1 B
C07	0657223	0.022 μ F	1 B
C08	0657223	0.022 μ F	1 B
C09	0657223	0.022 μ F	1 B
C10	0657223	0.022 μ F	1 B
C11	0657223	0.022 μ F	1 C
C12	0657223	0.022 μ F	1 C
C13	0657223	0.022 μ F	1 C
C14	0657223	0.022 μ F	1 C
C15	0657223	0.022 μ F	1 C
C16	0657223	0.022 μ F	1 C
C17	0660101	100pF	1 C
C18	0660101	100pF	1 D
C19	0660101	100pF	1 D

Parts No.	Stock No.	Description	Position
C20	0512100	10 μ F 16V E.C.	1 D
C21	0513479	4.7 μ F 25V E.C.	1 D
C22	0660101	100pF	1 C
C23	0657223	0.022 μ F	1 D
C24	0657223	0.022 μ F	1 B
C25	0661470	47pF	1 B
C26	0657223	0.022 μ F	1 B
C27	0661330	33pF	1, 2 B
C28	0661470	47pF	2 B
C29	0657223	0.022 μ F	2 B
C30	0661470	47pF	2 B
C31	0657223	0.022 μ F	2 B
C32	0512100	10 μ F 16V E.C.	2 B
C33	0667223	0.022 μ F	2 B
C34	0657223	0.022 μ F	1 B
C36	0515229	2.2 μ F 50V E.C.	1 D
C37	0512101	100 μ F 16V E.C.	1 D
C38	0629001	6800pF 50V P.C.	2 D
C39	0513479	4.7 μ F	2 D
C40	0513479	4.7 μ F	1 D
C41	0515109	1 μ F	2 D
C42	0515109	1 μ F	1 D
C43	0600187	0.018 μ F 50V M.C.	2 C
C44	0600187	0.015 μ F	1 C
C45	0600686	0.0068 μ F	2 C
C46	0600686	0.0068 μ F	1 C
C47	0512101	100 μ F	1 C, D
C53	0512100	10 μ F	1 D
C54	0515109	1 μ F	2 B
C55	0515339	3.3 μ F	1 C
C56	0515109	1 μ F	2 C
C57	0515109	1 μ F	2 C
C58	0512100	10 μ F 16V E.C.	2 C
C59	0519102	3.3 μ F 50V (BRN) E.C.	1 C
C60	0601686	0.0068 μ F 50V M.C.	1 C
C61	0519102	3.3 μ F 50V (BRN) E.C.	1 C
C62	0601686	0.0068 μ F 50V M.C.	1 C
C64	0620361	360pF 50V P.C.	2 A
C65	0669215	15pF 50V C.C.	2 A
C66	0512100	10 μ F 16V E.C.	2 A
C67	0657223	0.022 μ F	2 A
C68	0657223	0.022 μ F	2 A
C69	0657223	0.022 μ F	1, 2 A
C70	0601107	0.01 μ F	2 A
C71	0601106	0.001 μ F	2 A
C72	0515109	1 μ F	2 A
C73	0515339	3.3 μ F	2 A
C74	0601107	0.01 μ F 50V M.C.	2 A
C75	0512101	100 μ F 16V E.C.	2 A
C76	0601337	0.033 μ F	2 A
C77	0601396	0.0039 μ F	2 A
C78	0601227	0.022 μ F	2 A
C79	0510470	47 μ F 6.3V E.C.	2 B
C81	0515339	3.3 μ F	
C901	0515109	1 μ F	
R04	0113151	150 Ω	1 A
R05	0113391	390 Ω	1 A
R06	0113681	680 Ω	1 A
R07	0113153	15k Ω	1 A
R08	0113103	10k Ω	1 A

Conductor Side

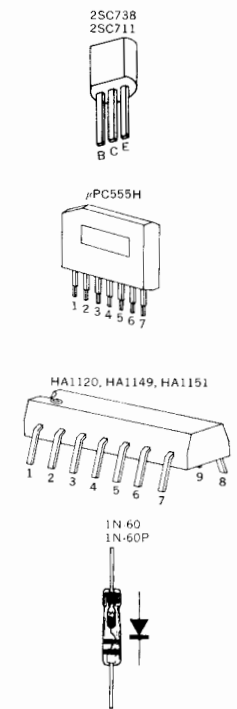
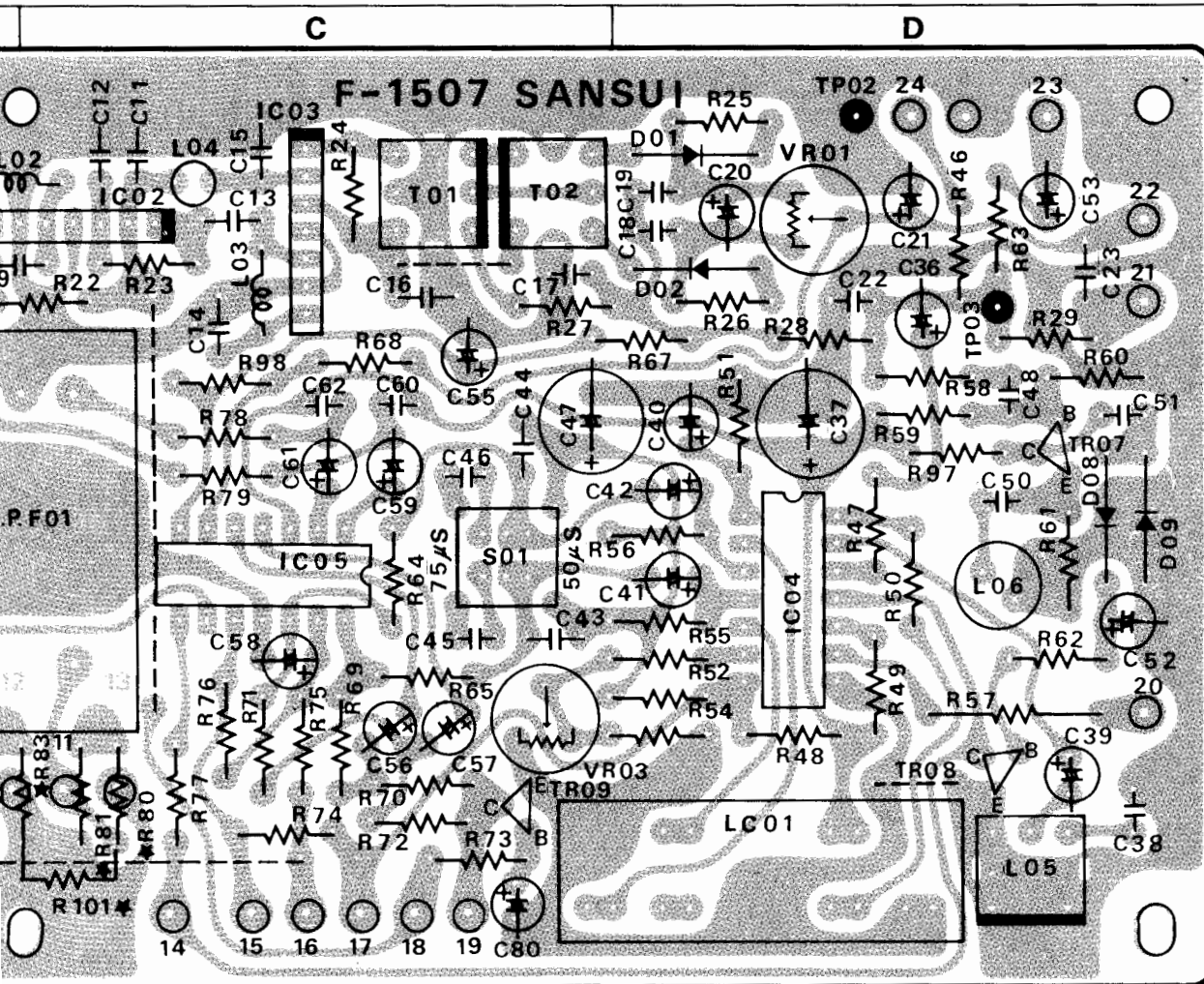


Parts No.	Stock No.	Description	Position
R09	0113471	470Ω	1 A
R11	0113479	4.7Ω	1 B
R13	0113151	150Ω	1 B
R14	0113391	390Ω	1 B
R15	0113221	220Ω	1 B
R16	0113562	5.6kΩ	1 B
R17	0113103	10kΩ	1 B
R18	0113151	150Ω	1 B
R19	0113102	1kΩ	1 B
R20	0113479	4.7Ω	1 B
R21	0113102	1kΩ	1 B
R22	0113479	4.7Ω	1 B, C
R23	0113102	1kΩ	1 C
R24	0113682	6.8kΩ	1 C
R25	0113102	1kΩ	1 D
R26	0113102	1kΩ	1 D
R27	0113101	100Ω	1 C
R28	0113471	470Ω	1 D
R30	0113152	1.5kΩ	1 B
R31	0113220	22Ω	1 B
R32	0113333	33kΩ	1 B

Parts No.	Stock No.	Description	Position
R33	0113102	1kΩ	1 B
R34	0113102	1kΩ	1 B
R35	0113391	390Ω	1 B
R36	0113220	22Ω	2 B
R37	0113223	22kΩ	2 B
R38	0113183	18kΩ	2 B
R39	0113102	1kΩ	2 B
R40	0113102	1kΩ	2 B
R42	0113104	100kΩ	1 A
R43	0113333	33kΩ	1 A
R46	0113681	680Ω	1 D
R47	0113562	5.6kΩ	1, 2 D
R48	0113479	4.7Ω	2 D
R49	0113334	330kΩ	2 D
R50	0113221	220Ω	2 D
R51	0113472	4.7kΩ	1 D
R52	0113151	150Ω	2 C, D
R54	0113101	100Ω	2 C, D
R55	0113332	3.3kΩ	2 C, D
R56	0113332	3.3kΩ	2 C, D
R57	0171181	180Ω	1/4 W M.R. 2 D

Abbreviations

- | | | | |
|-------------------------|---------------------------------|---|------------------------------|
| C.R. : Carbon Resistor | M.R. : Metallized Film Resistor | BP.E.C. : Bi-Polar Electrolytic Capacitor | O.C. : Oil Capacitor |
| S.R. : Solid Resistor | M.C. : Mylar Capacitor | C.C. : Ceramic Capacitor | P.C. : Polystyrene Capacitor |
| Ce.R. : Cement Resistor | E.C. : Electrolytic Capacitor | Mi.C. : Mica Capacitor | T.C. : Tantalum Capacitor |



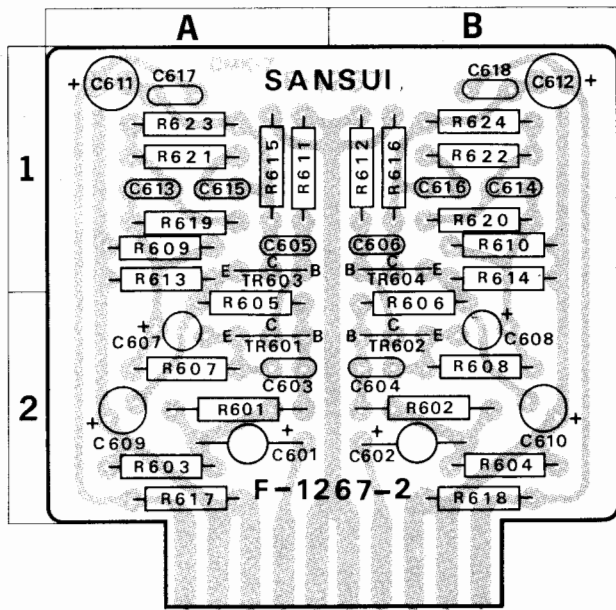
Position	Parts No.	Stock No.	Description	Position
	R63	0113471	470Ω	1 D
	R64	0113332	3.3kΩ	2 C
	R65	0113332	3.3kΩ	2 C
	R66	0113104	100kΩ	2 B
	R67	0113223	22kΩ	1 D
	R68	0113223	22kΩ	1 C
	R69	0113822	8.2kΩ	2 C
	R70	0113473	47kΩ	2 C
	R71	0113822	8.2kΩ	2 C
	R72	0113473	47kΩ	2 C
	R73	0113472	4.7kΩ	2 C
	R74	0113222	2.2kΩ	2 C
	R75	0113472	4.7kΩ	2 C
	R76	0113222	2.2kΩ	2 C
	R77	0113103	10kΩ	2 C
	R78	0113332	3.3kΩ	1 C
	R79	0113332	3.3kΩ	1 C
	R84	0113392	3.9kΩ	2 A
	R85	0113100	10Ω	2 A
	R86	0113101	100Ω	2 A
	R87	0113100	10Ω	2 A

Parts No.	Stock No.	Description	Position
R88	0113224	220kΩ	2 A
R89	0113122	1.2kΩ	2 A
R90	0113103	10kΩ	2 A
R91	0113103	10kΩ	2 B
R92	0113152	1.5kΩ	2 A
R93	0113151	150Ω	2 A
R94	0113182	1.8kΩ	2 A
R95	0113183	18kΩ	2 A
R96	0113101	100Ω	2 A
R98	0113473	47kΩ	1 C
R100	0113681	680Ω	
R101	0113332	3.3kΩ	2 C
R102	0113332	3.3kΩ	2 B
R103	0113103	10kΩ	
R104	0113223	22kΩ	
R105	0113332	3.3kΩ	
R901	0113332	3.3kΩ	
S01	1110270	Slide Switch	1, 2 C

6-3. F-1267 Equalizer Circuit Board

(Stock No. 7550630 Complete Circuit Board F-1267)

Conductor Side

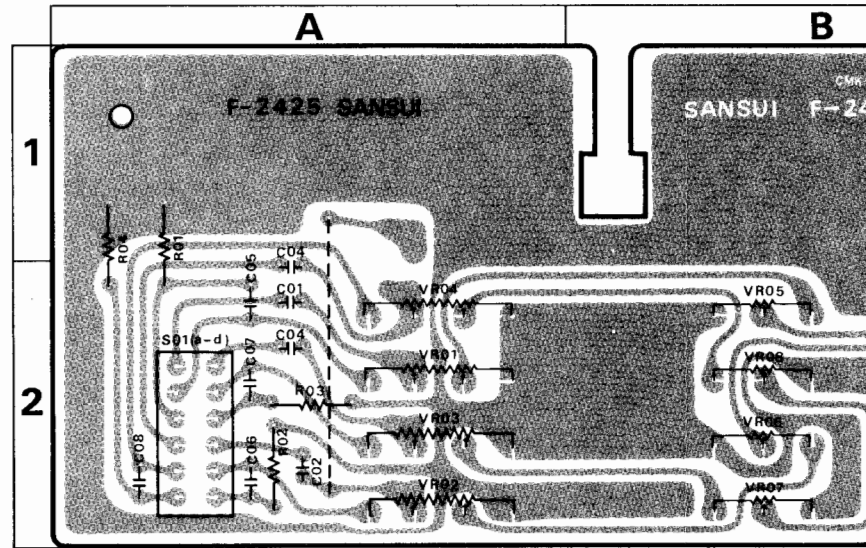


Parts List

Parts No.	Stock No.	Description	Position
TR601, 602	0306070, 1	2SC-1313R (F, G)	Transistor 2 A . 2 B
TR603, 604	0306070, 1	2SC-1313R (F, G)	
C601, 602	0519102	3.3 μ F 50V E.C. (BRN)	2 A . 2 B
C605, 606	0660150	15pF 50V C.C.	1 A . 1 B
C609, 610	0510221	220 μ F 6.3V	2 A . 2 B
C611, 612	0515101	1 μ F 50V (BRN)	E.C. 1 A . 1 B
C613, 614	0600476	0.0047 μ F 50V	
C615, 616	0600106	0.001 μ F 50V	M.C. 1 A . 1 B
C617, 618	0660331	300pF 50V C.C.	
R601, 602	0107332	3.3k Ω	2 A . 2 B
R603, 604	0107334	330k Ω	
R605, 606	0107824	820k Ω	2 A . 2 B
R607, 608	0107479	4.7 Ω	2 A . 2 B
R609, 610	0107152	1.5k Ω	1 A . 1 B
R611, 612	0107104	100k Ω	1 $\frac{1}{2}$ W C.R. 1 A . 1 B
R613, 614	0107122	1.2k Ω	
R615, 616	0107472	4.7k Ω	1 A . 1 B
R617, 618	0107104	100k Ω	2 B . 2 B
R619, 620	0107824	820k Ω	1 A . 1 B
R621, 622	0107102	1k Ω	1 A . 1 B
R623, 624	0107563	56k Ω	1 A . 1 B
R625, 626	0107683	68k Ω	

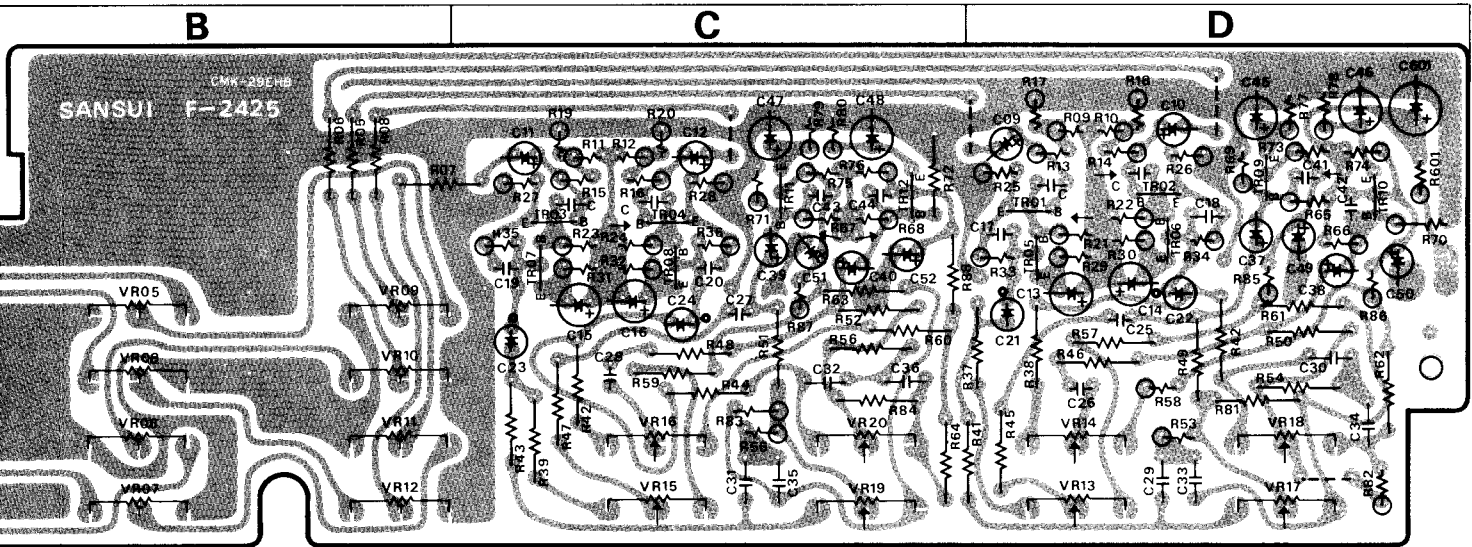
6-4. F-2425 Tone Control Circuit Board (Stock No. 7560880 C)

Conductor Side

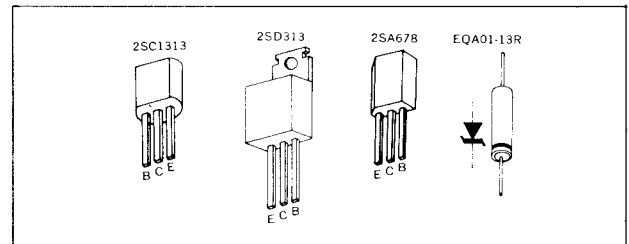


Parts List

Parts No.	Stock No.	Description	Position	Parts No.	
TR01, 02	0306070, 1	2SC1313R (F, G)	Transistor 1 D	R05, 06	
TR03, 04	0306070, 1	2SC1313R (F, G)		1 C	R07, 08
TR09, 10	0306070, 1	2SC1313R (F, G)		1 D	R09, 10
TR11, 12	0306070, 1	2SC1313R (F, G)		1 C	R11, 12
VR01-04	1060340, 1	250k Ω (B) \times 4	Variable-Resistor 2 A	R13, 14	
VR05-08	1060360, 1	250k Ω (MN) \times 4		2 B	R15, 16
VR09-12	1060350, 1	250k Ω (MN) \times 4		2 B	R17, 18
VR13, 14	1010930, 1	100k Ω (B) \times 2		2 D	R19, 20
VR15, 16	1010930, 1	100k Ω (B) \times 2		2 C	R21, 22
VR17, 18	1010930, 1	100k Ω (B) \times 2		2 D	R23, 24
VR19, 20	1010930, 1	100k Ω (B) \times 2		2 C	R25, 26
					R27, 28
C01, 02	0620181	180pF	50V P.C. 2 A	R41, 42	
C03, 04	0620181	180pF		2 A	R43, 44
C05, 06	0601227	0.022 μ F	50V M.C. 2 A	R47, 48	
C07, 08	0601227	0.022 μ F		2 A	R49, 50
C09, 10	0519103	0.47 μ F	50V E.C. (BRN) 1 D	R57, 58	
C11, 12	0519103	0.47 μ F		1 C	R59
C21, 22	0519102	3.3 μ F	50V E.C. (BRN) 2D, 1, 2D	R60	
C23, 24	0519102	3.3 μ F		2 C	R61, 62
C25, 26	0601226	0.0022 μ F	2 D	R63, 64	
C27, 28	0601226	0.0022 μ F		2 C	R65, 66
C29, 30	0601397	0.039 μ F	50V M.C. 2 D	R67, 68	
C31, 32	0601397	0.039 μ F		2 C	R69, 70
C33, 34	0601397	0.039 μ F		2 D	R71
C35, 36	0601397	0.039 μ F		2 C	R72
C37, 38	0519102	3.3 μ F	50V E.C. (BRN) 1 D	R73, 74	
C39, 40	0519102	3.3 μ F		1 C	R75, 76
C41, 42	0660150	33pF	50V C.C. 1 D	R77, 78	
C43, 44	0660150	33pF		1 C	R79, 80
C45, 46	0510101	100 μ F	6.3V E.C. 1 D	R81, 82	
C47, 48	0510101	100 μ F		1 C	R83, 84
C49, 50	0519102	3.3 μ F	50V E.C. 1 D	R85	
C51, 52	0519102	3.3 μ F		1 C	R86
C601	0515470	47 μ F 50V E.C.	1 D	R87, 88	
C901, 902	0660220	22pF	50V C.C. 1 A . 2 A	R901, 902	
C903, 904	0660220	22pF		2 A . 1 A	R903, 904
R01, 02	0107273	27k Ω	1 $\frac{1}{2}$ W C.R. 1 A . 2 A		
R03, 04	0107273	27k Ω		2 A . 1 A	



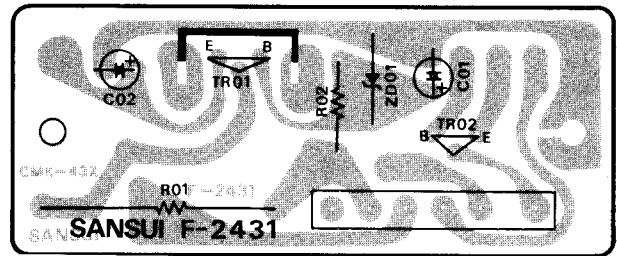
Parts No.	Stock No.	Description	Position
R05, 06	0107222	2.2kΩ	1 B
R07, 08	0107222	2.2kΩ	1B, C, 1 B
R09, 10	0106334	330kΩ	1 D
R11, 12	0106334	330kΩ	1 C
R13, 14	0106334	330kΩ	1 D
R15, 16	0106334	330kΩ	1 C
R17, 18	0106333	33kΩ	1 D
R19, 20	0106333	33kΩ	1 C
R21, 22	0106472	4.7kΩ	1 D
R23, 24	0106472	4.7kΩ	1 C
R25, 26	0106102	1kΩ	1 D
R27, 28	0106102	1kΩ	1 C
R41, 42	0107123	12kΩ	2C, D, 2D
R43, 44	0107123	12kΩ	2 C
R47, 48	0107223	22kΩ	2 C
R49, 50	0107223	10kΩ	2 D
R57, 58	0106272	2.7kΩ	2 D
R59	0106272	2.7kΩ	2 C
R60	0107272	2.7kΩ	2 C
R61, 62	0107123	12kΩ	2 D
R63, 64	0107123	12kΩ	1 C, 2 B
R65, 66	0106824	820kΩ	1 D
R67, 68	0106824	820kΩ	1 C
R69, 70	0106563	56kΩ	1 D
R71	0106563	56kΩ	1 C
R72	0107563	56kΩ	1 C
R73, 74	0106822	8.2kΩ	1 D
R75, 76	0106822	8.2kΩ	1 C
R77, 78	0106102	1kΩ	1 D
R79, 80	0106102	1kΩ	1 C
R81, 82	0107274	270kΩ	2 D
R83, 84	0107274	270kΩ	2 C
R85	0107272	2.7kΩ	2 D
R86	0106272	2.7kΩ	2 D
R87, 88	0106272	2.7kΩ	1, 2 C
R601	0106100	100Ω	1 D
R901, 902	0107103	10kΩ	1 D
R903, 904	0107103	10kΩ	1 D



6-5. F-2431 Power Supply Circuit Board for Tuner Section

(Stock No. 7500920 Complete Circuit Board F-2431)

Conductor Side

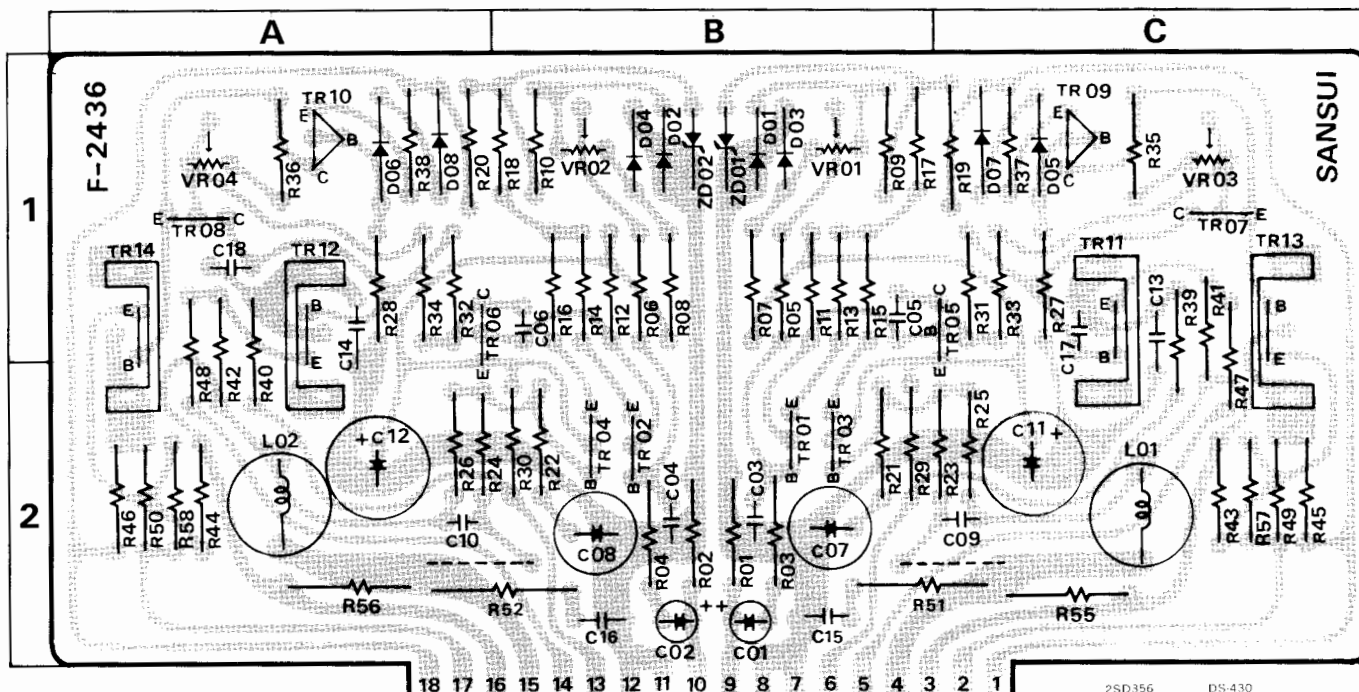


Parts List

Parts No.	Stock No.	Description
TR01	0308390-2	2SD313 (C,D,E) } Transistor
TR02	0300292	2SA678 (7) } Transistor
ZD01	0315970	EQA01-13R } Zener Diode
C01	0512221	220μF } 16V E.C.
C02	0512101	100μF } 16V E.C.
R01	0183391	390Ω 3W Ce.R.
R02	0107472	4.7kΩ 1/4W C.R.
R03	0183391	390Ω 3W Ce.R.

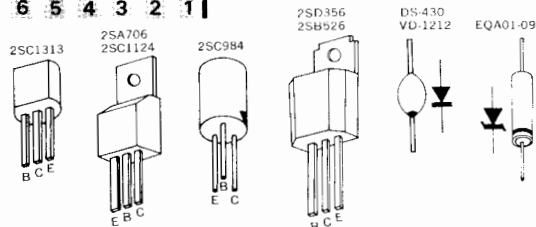
6-6. F-2436A Driver Circuit Board (Stock No. 7570960 Complete Circuit Board F-2436A)

Conductor Side



Parts List

Parts No.	Stock No.	Description	Position	
TR01, 02	0306070.1	2SC1313W (F, G)	Transistor	
TR03, 04	0306070.1	2SC1313W (F, G)		
TR05, 06	0300381.2	2SA706-3 (2, 3)		
TR07, 08	0305871.2	2SC984 (B, C)		
TR09, 10	0305901.2	2SC1124 (2, 3)		
TR11, 12	0308450-2	2SD356 (C, D, E)		
TR13, 14	0303280-2	2S8526 (C, D, E)		
TR701, 702	0308330-2	2SD315 (C, D, F)		
TR703, 704	0308330-2	2SD315 (C, D, F)		
TR705, 706	0308330-2	2SD315 (C, D, E)		
TR707, 708	0308330-2	2SD315 (C, D, E)		
D01, 02	0340090	DS-430		Diode
D03, 04	0340090	DS-430		Diode
D05, 06	0340120	VD-1212		Varistor
ZD01, 02	0315850	EQA01-09	Zener Diode	
VR01, 02	1035350	4.7k Ω (B)	Semi-Variable Resistor (Solid Type)	
VR03, 04	1035310	1k Ω (B)		
C01, 02	0519101	1 μ F 50V E.C. (BRN)	Capacitor	
C03, 04	0660470	47pF 50V C.C.		
C05, 06	0660330	33pF 50V C.C.		
C07, 08	0530101	100 μ F 6.3V BP.E.C.		
C11, 12	0515101	100 μ F 50V E.C.		
C13, 14	0657223	0.022 μ F 50V C.C.		
C15, 16	0601108	0.1 μ F 50V M.C.		
C17, 18	0660101	100pF 50V C.C.		
R01, 02	0107124	120k Ω		Resistor
R03, 04	0107103	10k Ω		
R05, 06	0107124	120k Ω		
R07, 08	0107683	68k Ω		
R09, 10	0107223	22k Ω		
R11, 12	0107102	1k Ω		
R13, 14	0107479	4.7 Ω		
R15, 16	0107479	4.7 Ω	Resistor	
R17, 18	0107332	3.3k Ω		
R19, 20	0103472	4.7k Ω		
R21, 22	0107182	1.8k Ω		
R25, 26	0107124	120k Ω		
R27, 28	0107333	33k Ω		
R29, 30	0107101	100 Ω		
R31, 32	0107390	39 Ω		
R33, 34	0107332	3.3k Ω		
R35, 36	0107152	1.5k Ω		
R37, 38	0107181	180 Ω		
R39, 40	0107100	10 Ω		
R41, 42	0107151	150 Ω		
R43, 44	0107100	10 Ω		
R45, 46	0107151	150 Ω		
R47, 48	0107479	4.7 Ω		
R49, 50	0107479	4.7 Ω		
R51, 52	0171100	10 Ω 1W M.R.	Resistor	
R53, 54	0153228	0.22 Ω 3W Ce. R.		
R55, 56	0107274	270k Ω 1/4W C.R.		



Parts No.	Stock No.	Description	Position
R15, 16	0107479	4.7 Ω	1/4W C.R.
R17, 18	0107332	3.3k Ω	
R19, 20	0103472	4.7k Ω	
R21, 22	0107182	1.8k Ω	
R25, 26	0107124	120k Ω	
R27, 28	0107333	33k Ω	
R29, 30	0107101	100 Ω	
R31, 32	0107390	39 Ω	
R33, 34	0107332	3.3k Ω	
R35, 36	0107152	1.5k Ω	
R37, 38	0107181	180 Ω	
R39, 40	0107100	10 Ω	
R41, 42	0107151	150 Ω	
R43, 44	0107100	10 Ω	
R45, 46	0107151	150 Ω	
R47, 48	0107479	4.7 Ω	1/4W C.R.
R49, 50	0107479	4.7 Ω	
R51, 52	0171100	10 Ω 1W M.R.	
R53, 54	0153228	0.22 Ω 3W Ce. R.	Resistor
R55, 56	0107274	270k Ω 1/4W C.R.	

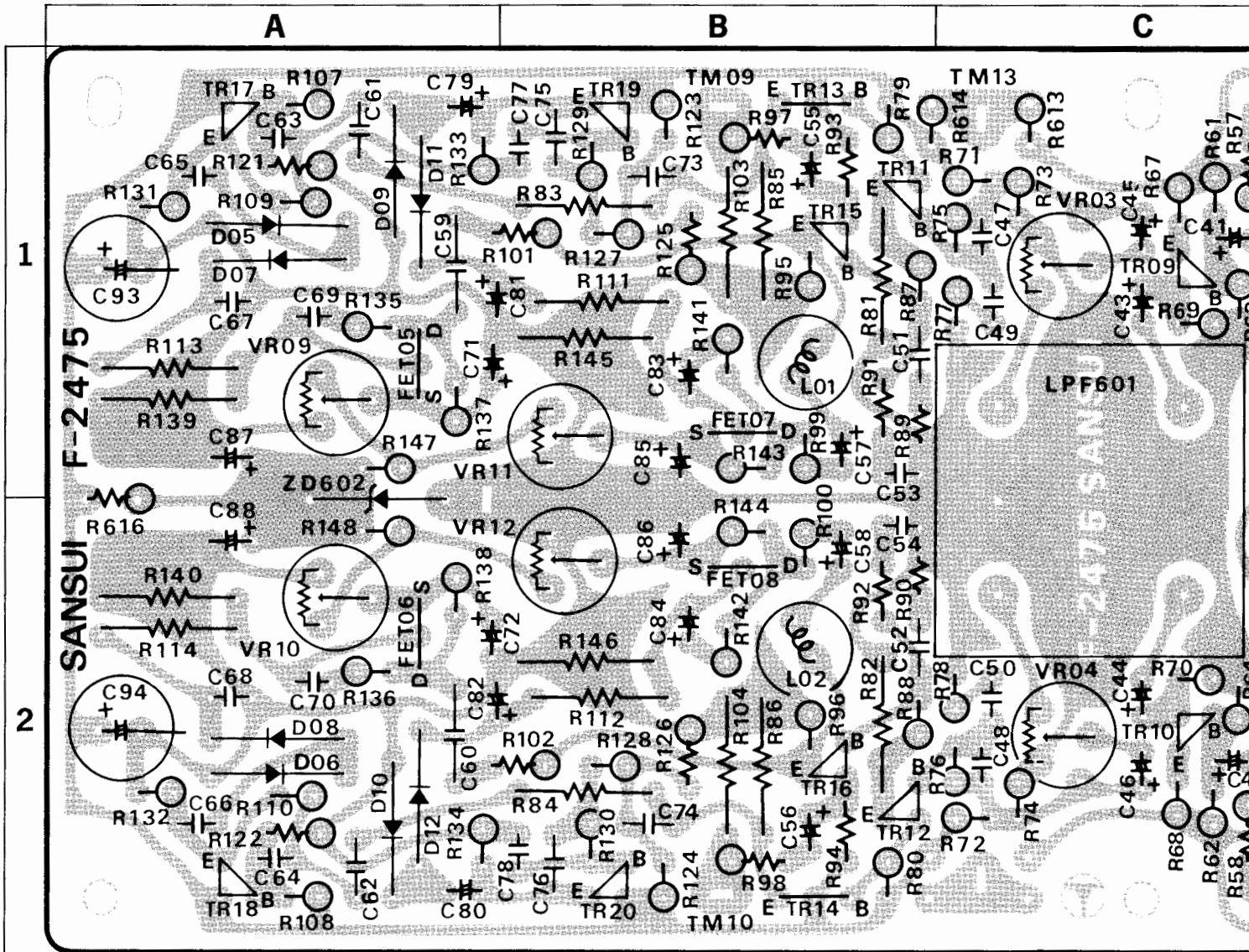
Abbreviations

C.R. : Carbon Resistor	BP.E.C.: Bi-Polar Electrolytic Capacitor
S.R. : Solid Resistor	C.C. : Ceramic Capacitor
Ce.R. : Cement Resistor	Mi.C. : Mica Capacitor
M.R. : Metallized Film Resistor	O.C. : Oil Capacitor
M.C. : Mylar Capacitor	P.C. : Polystyrene Capacitor
E.C. : Electrolytic Capacitor	T.C. : Tantalum Capacitor

6-7. F-2475 CD-4 Sub-Channel Circuit Board (Stock No. 765370 Complete Circuit Board F-2475) Parts List

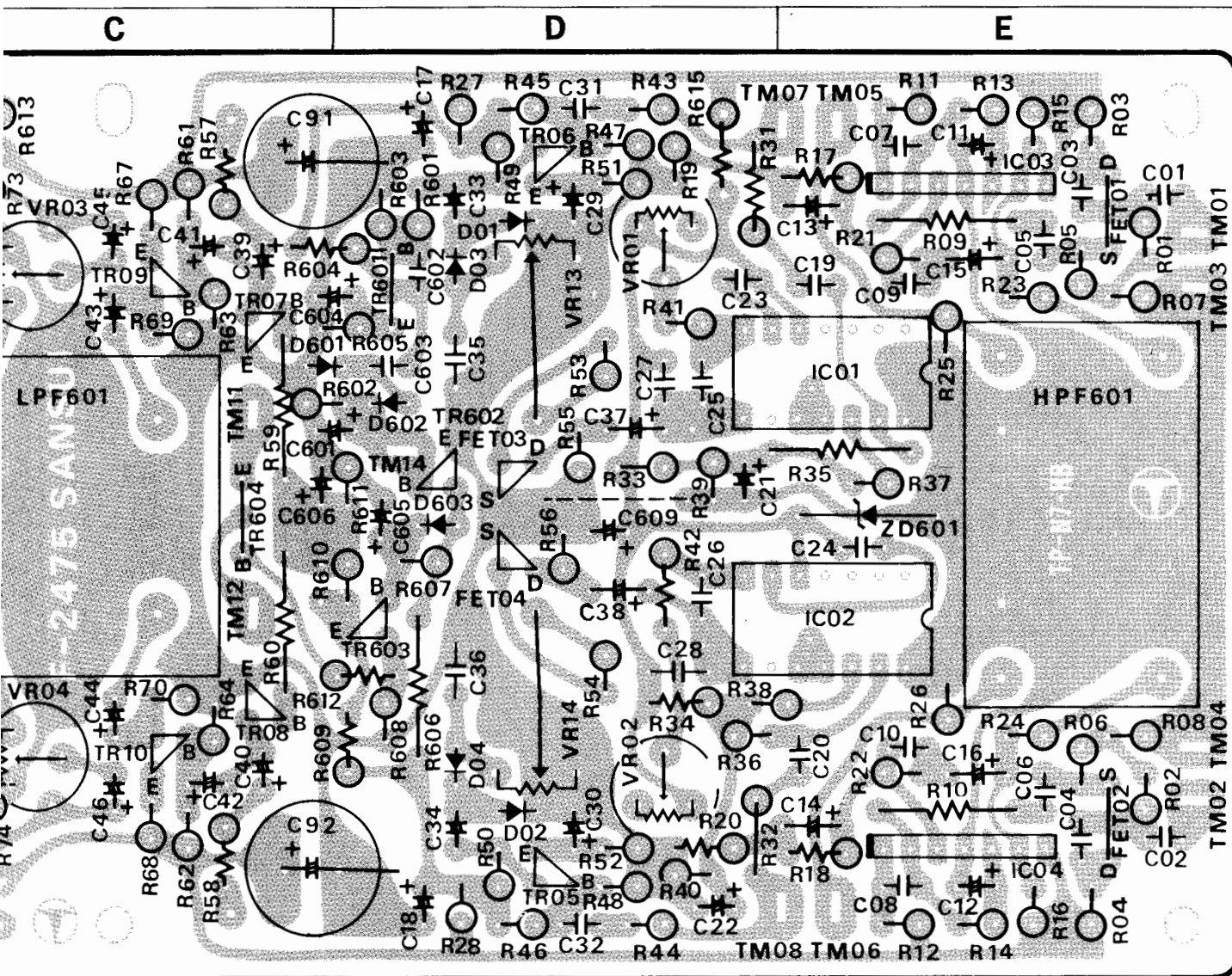
Parts No.	Stock No.	Description	Position	Parts No.	Stock No.	Description	Position
TR05, 06	0305951, 2, 3	2SC945 (Q, P, K)	2 D. 1 D	C31, 32	0620681	680pF 50V P.C.	1 D. 2 D
TR07, 08	0305951, 2, 3	2SC945 (Q, P, K)	1 D. 2 C	C33, 34	0515109	1 μF 50V E.C.	1 D. 2 D
TR09, 10	0300301, 3, 5	2SA640 (M, K, L)	1 D. 2 C	C35, 36	0601157	0.015 μF 50V M.C.	1 D. 2 D
	or	or		C37, 38	0512330	33 μF 16V E.C.	1 D. 2 D
TR11, 12	0300410, 1	2SA726 (F, G)	1 B. 2 B	C39, 40	0519102	3.3 μF 50V E.C.	1 C. 2 C
	0306090, 1	2SC1312R (F, G)		C41, 42	0519102	3.3 μF 50V E.C.	1 C. 2 C
TR13, 14	0306011, 2	2SC1222 (E, F)	1 B. 2 B	C43, 44	0513479	4.7 μF 25V E.C.	1 C. 2 C
	0306090, 1	2SC1312R (F, G)		C45, 46	0515109	1 μF 50V E.C.	1 C. 2 C
TR15, 16	0306011, 2	2SC1222R (E, F)	1 B. 2 B	C47, 48	0620331	330pF 50V P.C.	1 C. 2 C
	0306090, 1	2SC1312R (F, G)		C49, 50	0600476	0.0047 μF 50V M.C.	1 C. 2 C
TR17, 18	0305951, 2, 3	2SC945 (Q, P, K)	1 A. 2 A	C51, 52	0600477	0.047 μF 50V M.C.	1 B. 2 B
TR19, 20	0305951, 2, 3	2SC945 (Q, P, K)	1 B. 2 B	C53, 54	0600276	0.0027 μF 50V M.C.	1 B. 2 B
TR601	0305951, 2, 3	2SC945 (Q, P, K)	1 D	C55, 56	0515109	1 μF 50V E.C.	1 B. 2 B
TR602	0305951, 2, 3	2SC945 (Q, P, K)	1 D	C57, 58	0573688	0.68 μF 25V T.C.	1 B. 2 B
TR603	0300510, 1	2SA733 (Q, P)	2 D	C59, 60	0600158	0.15 μF 50V M.C.	1 A. 2 A
TR604	0305951, 2, 3	2SC945 (Q, P, K)	1, 2 C	C61, 62	0600686	0.0068 μF 50V M.C.	1 A. 2 A
FET01, 02	0370150, 1	2SK34 (B, C)	1 E. 2 E	C63, 64	0600686	0.0068 μF 50V M.C.	1 A. 2 A
FET03, 04	0370150	2SK34 (B)	1 D. 2 D	C65, 66	0600826	0.0082 μF 50V M.C.	1 A. 2 A
FET05, 06	0370151	2SK34 (C)	1 A. 2 A	C67, 68	0601227	0.022 μF 50V M.C.	1 A. 2 A
FET07, 08	0370151	2SK34 (C)	1 B. 2 B	C69, 70	0601476	0.0047 μF 50V M.C.	1 A. 2 A
IC01, 02	0360110	CD894A	1 DE. 2 DE	C71, 72	0512100	10 μF 16V E.C.	1 AB. 2 A
IC03, 04	0360200	BA312S	1 E. 2 E	C73, 74	0600127	0.012 μF 50V M.C.	1 B. 2 B
D01, 02	0311160	IS2473D	1 D. 2 D	C75, 76	0600157	0.015 μF 50V M.C.	1 B. 2 B
D03, 04	0311160	IS2473D	1 D. 2 D	C77, 78	0600157	0.015 μF 50V M.C.	1 B. 2 B
D05, 06	0310400	IN34A	1 A. 2 A	C79, 80	0573338	0.33 μF 25V T.C.	1 A. 2 A
D07, 08	0310400	IN34A	1 A. 2 A	C81, 82	0573338	0.33 μF 25V T.C.	1 AB. 2 AB
D09, 10	0310400	IN34A	1 A. 2 A	C83, 84	0573338	0.33 μF 25V T.C.	1 B. 2 B
D11, 12	0310400	IN-34A	1 A. 2 A	C85, 86	0511330	33 μF 10V E.C.	1 B. 2 B
D601, 602	0310330	IN-60	1 CD. 2 D	C87, 88	0510470	47 μF 6.3V E.C.	1 A. 2 A
D603	0310330	IN-60	2 D	C89, 90			
ZD601	0316290	RD-12E (B)	1, 2 E	C91, 92	0513221	220 μF 25V E.C.	1 CD. 2 CD
ZD602	0315530	RD-6A (K)	1, 2 A	C93, 94	0513101	100 μF 25V E.C.	1 A. 2 A
VR01, 02	1035100	3.3k Ω (B)	1 D. 2 D	C601	0573108	0.1 μF 25V T.C.	1 C, D
VR03, 04	1035110	4.7k Ω (B)	1 C. 2 C	C602	0660471	470pF 50V C.C.	1 D
VR09, 10	1035150	22k Ω (B)	1 A. 2 A	C603	0600686	0.0068 μF 50V M.C.	1 D
VR11, 12	1035150	22k Ω (B)	1 B. 2 B	C604	0515109	1 μF 50V E.C.	1 C, D
VR13, 14	1035520, 1	100k Ω (B)	1 D. 2 B	C605	0512330	33 μF 16V E.C.	1, 2 D
L01, 02	4900220	100mH	1 D. 2 D	C606	0515109	1 μF 50V	1 D
HPF601	0910250	High Pass Filter	1, 2 E	R01, 02	0106105	1M Ω	1 E. 2 E
LPF601	0910240	Low Pass Filter	1, 2 C	R03, 04	0106102	1k Ω	1 E. 2 E
C01, 02	0601106	0.001 μF 50V M.C.	1 E. 2 E	R05, 06	0106221	220 Ω	1 E. 2 E
C03, 04	0660220	22pF 50V C.C.	1 E. 2 E	R07, 08	0106123	12k Ω	1 E. 2 E
C05, 06	0600226	0.0022 μF 50V M.C.	1 E. 2 E	R09, 10	0107479	4.7 Ω	1/4 W C.R.
C07, 08	0660100	10pF 50V C.C.	1 E. 2 E	R11, 12	0106684	680k Ω	1 E. 2 E
C09, 10	0660151	150pF 50V C.C.	1 E. 2 E	R13, 14	0106562	5.6k Ω	1 E. 2 E
C11, 12	0515339	3.3 μF 50V E.C.	1 E. 2 E	R15, 16	0106103	10k Ω	1 E. 2 E
C13, 14	0515109	1 μF 50V E.C.	1 E. 2 E	R17, 18	0106332	3.3k Ω	1 E. 2 E
C15, 16	0515109	1 μF 50V E.C.	1 E. 2 E	R19, 20	0106470	47 Ω	1 D. 2 D
C17, 18	0512330	33 μF 16V E.C.	1 D. 2 D	R21, 22	0106223	22k Ω	1/4 W C.R. (E.L.R)
C19, 20	0601276	0.0027 μF 50V M.C.	1 E. 2 E	R23, 24	0106332	3.3k Ω	1 E. 2 E
C21, 22	0515109	1 μF 50V E.C.	1 D. 2 D	R25, 26	0106562	5.6k Ω	1 E. 2 E
C23, 24	0600276	0.0027 μF 50V M.C.	1 D. 2 E	R27, 28	0106152	1.5k Ω	1 D. 2 D
C25, 26	0657102	0.001 μF 50V C.C.	1 D. 2 D	R31, 32	0106270	2.7k Ω	1 D. 2 D
C27, 28	0600276	0.0027 μF 50V M.C.	1 D. 2 D	R33, 34	0106103	10k Ω	1 D. 2 D
C29, 30	0511330	33 μF 10V E.C.	1 D. 2 D	R35	0107472	4.7k Ω	1/4 W C.R.
				R36	0106472	4.7k Ω	2 D
				R37, 38	0106472	4.7k Ω	1 E. 2 DE
				R39, 40	0106103	10k Ω	1 D. 2 D
				R41, 42	0106222	2.2k Ω	1/4 W C.R. (E.L.R)
				R43, 44	0109152	1.5k Ω	1 D. 2 D
				R45, 46	0106154	150k Ω	1 D. 2 D

Conductor Side

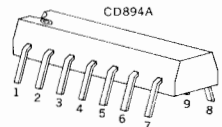
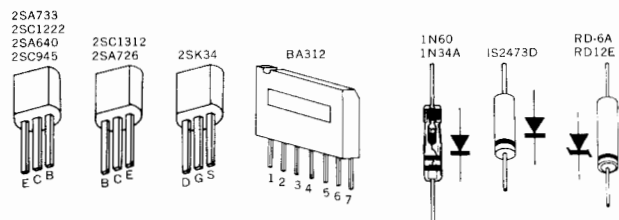


Parts No.	Stock No.	Description	Position
R47, 48	0106274	270kΩ	1D.2D
R49, 50	0106102	1kΩ	1D.2D
R51, 52	0106222	2.2kΩ	1/4W C.R. (E.L.R.) 1D.2D
R53, 54	0106683	68kΩ	1D.2D
R67, 68	0106221	220Ω	1C.2C
R69, 70	0106472	4.7kΩ	1C.2C
R71, 72	0106474	470kΩ	1C.2C
R73, 74	0106473	47kΩ	1/4W C.R. (E.L.R.) 1C.2C
R75, 76	0106333	33kΩ	1C.2C
R77, 78	0106472	4.7kΩ	1C.2C
R79, 80	0106273	2.7kΩ	1B.2B
R81, 82	0107272	2.7kΩ	1B.2B
R83, 84	0107479	4.7Ω	1/4W C.R. 1B.2B
R85, 86	0107103	10kΩ	1B.2B
R87, 88	0106473	47kΩ	1B.2B
R89, 90	0106153	15kΩ	1B.2B
R91, 92	0106223	22kΩ	1/4W C.R. (E.L.R.) 1B.2B
R93, 94	0106103	10kΩ	1B.2B
R95, 96	0106392	3.9kΩ	1/4W C.R. (E.L.R.) 1B.2B

Parts No.	Stock No.	Description	Position
R97, 98	0106223	22kΩ	1B.2B
R99, 100	0106821	820Ω	1/4W C.R. (E.L.R.) 1B.2B
R101, 102	0106471	470Ω	1AB.2AB
R103, 104	0107333	33kΩ	1/4W C.R. 1B.2B
R107, 108	0106473	47kΩ	1A.2A
R109, 110	0106823	82kΩ	1/4W C.R. (E.L.R.) 1A.2A
R111, 112	0107393	39kΩ	1B.2A
R113, 114	0107274	270kΩ	1/4W C.R. 1A.2A
R121, 122	0106473	47kΩ	1/4W C.R. (E.L.R.) 1A.2A
R123, 124	0106473	47kΩ	1B.2B
R125, 126	0106473	47kΩ	1B.2B
R127, 128	0106103	10kΩ	1B.2B
R129, 130	0106103	10kΩ	1B.2B
R131, 132	0106682	6.8kΩ	1/4W C.R. (E.L.R.) 1A.2A
R133, 134	0106682	6.8kΩ	1/4W C.R. (E.L.R.) 1A.2A
R135, 136	0106104	100kΩ	1A.2A
R137, 138	0106823	82kΩ	1A.2A
R139, 140	0107274	270kΩ	1A.2A
R141, 142	0106104	100kΩ	1B.2B



Position	Parts No.	Stock No.	Description	Position
1B.2B	R143, 144	0106823	82kΩ	1B.2B
1B.2B	R145, 146	0107394	390kΩ	1B.2A
1AB.2AB	R147, 148	0106102	1kΩ	1A.2A
1B.2B	R601	0106272	2.7kΩ	1D
1A.2A	R602	0106472	4.7kΩ	1C, D
1A.2A	R603	0106103	10kΩ	1D
1B.2A	R604	0106471	470Ω	1C, D
1A.2A	R605	0106272	2.7kΩ	1D
1A.2A	R606	0107562	5.6kΩ	1/4W C.R.
1B.2B	R607	0106103	10kΩ	2D
1B.2B	R608	0106102	1kΩ	2D
1B.2B	R609	0109103	10kΩ	2D
1B.2B	R610	0106392	3.9kΩ	2D
1A.2A	R611	0106821	820Ω	1/4W C.R. (E.L.R)
1A.2A	R612	0106102	1kΩ	2C, D
1A.2A	R613	0106390	39Ω	1C
1A.2A	R614	0106820	82Ω	1B, C
1A.2A	R615	0104331	330Ω 1W C.R.	1D
1B.2B	R616	0104681	680Ω 1W C.R. (E.L.R)	1, 2A



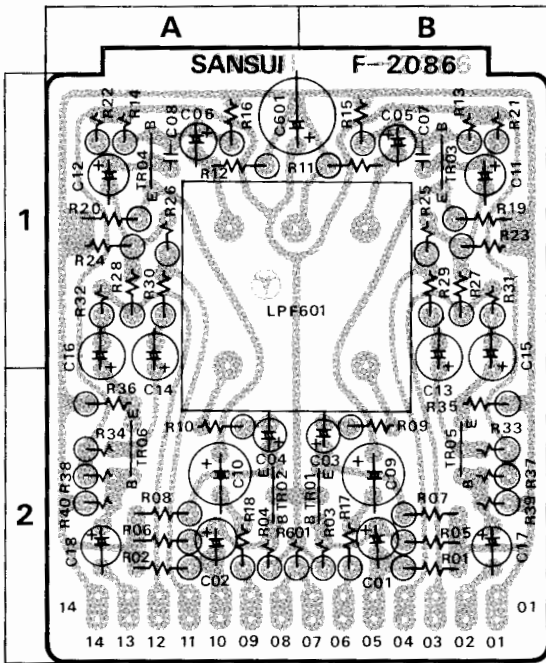
— Abbreviations —

- C.R. : Carbon Resistor
- S.R. : Solid Resistor
- Ce.R. : Cement Resistor
- M.R. : Metallized Film Resistor
- M.C. : Mylar Capacitor
- E.C. : Electrolytic Capacitor
- Bi.P.E.C. : Bi-Polar Electrolytic Capacitor
- C.C. : Ceramic capacitor
- Mi.C. : Metallized Film Capacitor
- O.C. : Oil Capacitor
- P.C. : Polystyrene Capacitor
- T.C. : Tantalum Capacitor

6-8. F-2086 CD-4 Main Circuit Board

(Stock No. 7650250 Complete Circuit Board F-2086)

Conductor Side



Parts List

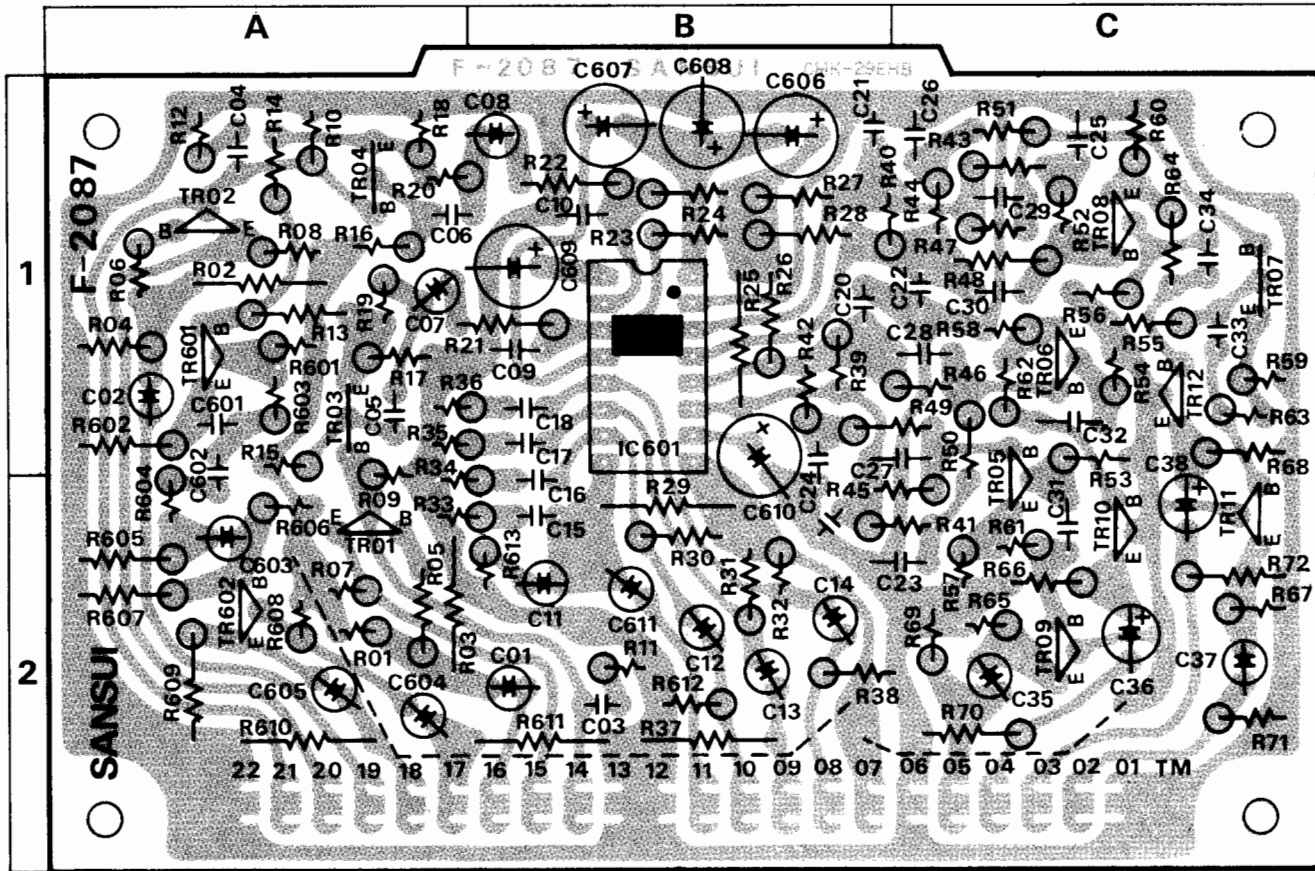
Parts No.	Stock No.	Description	Position
TR01, 02	0306090, 1	2SC1312 (F, G)	} Transistor 2 B . 2 A
TR03, 04	0306090, 1	2SC1312 (F, G)	
TR05, 06	0306090, 1	2SC1312 (F, G)	
LPF601	0910230	VSL-200-3 Low Pass Filter	2A,B,1A,B
C01, 02	0515109	1 μ F 50V E.C.	2 B . 2 A
C03, 04	0513479	4.7 μ F 25V E.C.	2 B . 2 A
C05, 06	0515109	1 μ F 50V E.C.	1 B . 1 A
C07, 08	0660330	33pF 50V C.C.	1 B . 1 A
C09, 10	0510101	100 μ F 6.3V E.C.	2 B . 2 A
C11, 12	0519105	2.2 μ F	1 B . 1 A
C13, 14	0519102	3.3 μ F	} 50V E.C. (BRN) 1,2B,1,2A
C15, 16	0519102	3.3 μ F	
C17, 18	0515109	1 μ F 50V E.C.	2 B . 2 A
C601	0513101	100 μ F 25V E.C.	1 A , B
R01, 02	0106474	470k Ω	} $\frac{1}{4}$ W C.R. (E.L.R) 2 B . 2 A
R03, 04	0106274	270k Ω	
R05, 06	0106274	270k Ω	
R07, 08	0106332	3.3k Ω	
R09, 10	0106472	4.7k Ω	
R11, 12	0106472	4.7k Ω	
R13, 14	0106274	270k Ω	
R15, 16	0106823	82k Ω	
R17, 18	0106271	270 Ω	
R19, 20	0106392	3.9k Ω	
R21, 22	0106822	8.2k Ω	
R23, 24	0106124	120k Ω	
R25, 26	0106123	12k Ω	
R27, 28	0106103	10k Ω	
R29, 30	0106103	10k Ω	
R31, 32	0106103	10k Ω	
R33, 34	0106102	1k Ω	
R35, 36	0106102	1k Ω	
R37, 38	0106394	390k Ω	
R39, 40	0106274	270k Ω	
R601	0106151	150 Ω	

6-9. F-2087 QS Matrix Circuit Board (Stock No. 7650250 Complete Circuit Board F-2086)

Parts List

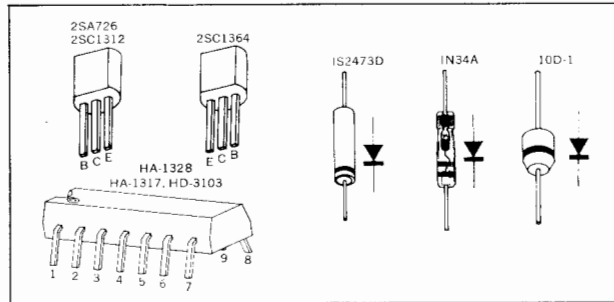
Parts No.	Stock No.	Description	Position
TR01, 02	0300410, 1	2SA726 (F, G)	} Transistor 2 A . 1 A
TR03, 04	0306090, 1	2SC1312 (F, G)	
TR05, 06	0306091	2SC1312 (G)	
TR07, 08	0306091	2SC1312 (G)	
TR09, 10	0306090, 1	2SC1312 (F, G)	
TR11, 12	0306090, 1	2SC1312 (F, G)	
TR601	0306090, 1	2SC1312 (F, G)	
TR602	0306090, 1	2SC1312 (F, G)	2 A
IC601	0360210	HA-1328 IC	1 B
C01, 02	0515339	3.3 μ F 50V E.C.	2 B . 1 A
C03, 04	0600680	0.0068 μ F	} 50V M.C. 2 B . 1 A
C05, 06	0600107	0.01 μ F	
C07, 08	0519101	1 μ F 50V E.C.	1 A . 1 B
C09	0660151	150pF	} 50V C.C. 1 B
C10	0660151	150pF	
C11	0513100	10 μ F	2 B
C12	0513100	10 μ F	} 25V E.C. 2 B
C13	0513100	10 μ F	
C14	0513100	10 μ F	2 B
C15	0600276	0.0027 μ F	} 50V M.C. 2 B
C16	0600276	0.0027 μ F	
C17	0600276	0.0027 μ F	1 B
C18	0600276	0.0027 μ F	1 B
C19, 20	0620561	560pF	} 50V P.C. 1 B
C21, 22	0620561	560pF	
C23, 24	0600337	0.033 μ F	} 2B,C,1,2B
C25, 26	0600337	0.033 μ F	
C27, 28	0600107	0.01 μ F	} 50V M.C. 1B,C,1C
C29, 30	0600107	0.01 μ F	
C31, 32	0600397	0.039 μ F	2 C . 1 C
C33	0620561	560pF 50V P.C.	1 C
C34	0600276	0.0027 μ F 50V M.C.	1 C
C35, 36	0515339	3.3 μ F	} 50V E.C. 2 C
C37, 38	0515339	3.3 μ F	
C601	0600396	0.0039 μ F	} 50V M.C. 1 C
C62	0600107	0.01 μ F	
C603	0515339	3.3 μ F	} 50V E.C. 2 A
C604	0519102	3.3 μ F	
C605	0519102	3.3 μ F	} 2 A
C606	0511101	100 μ F	
C607	0511470	47 μ F	} 10V E.C. 1 B
C608	0511101	100 μ F	
C609	0511470	47 μ F	} 1 A
C610	0511470	47 μ F	
C611	0519105	2.2 μ F 50V E.C. (BRN)	2 B
R01	0106473	47k Ω $\frac{1}{4}$ W C.R. (E.L.R)	} $\frac{1}{4}$ W C.R. 2 A
R02	0107473	47k Ω	
R03	0107104	100k Ω	
R04	0106104	100k Ω	
R05, 06	0106102	1k Ω	} 2 A . 1 A
R07, 08	0106222	2.2k Ω	
R09, 10	0106222	2.2k Ω	} 1,2A,1A
R11, 12	0106332	3.3k Ω	
R13, 14	0106104	100k Ω	} $\frac{1}{4}$ W C.R. (E.L.R) 1 A
R15, 16	0106222	2.2k Ω	
R17, 18	0106222	2.2k Ω	1 A
R19, 20	0106223	22k Ω	1 A
R21, 22	0106683	68k Ω	1A,B,1B

Conductor Side



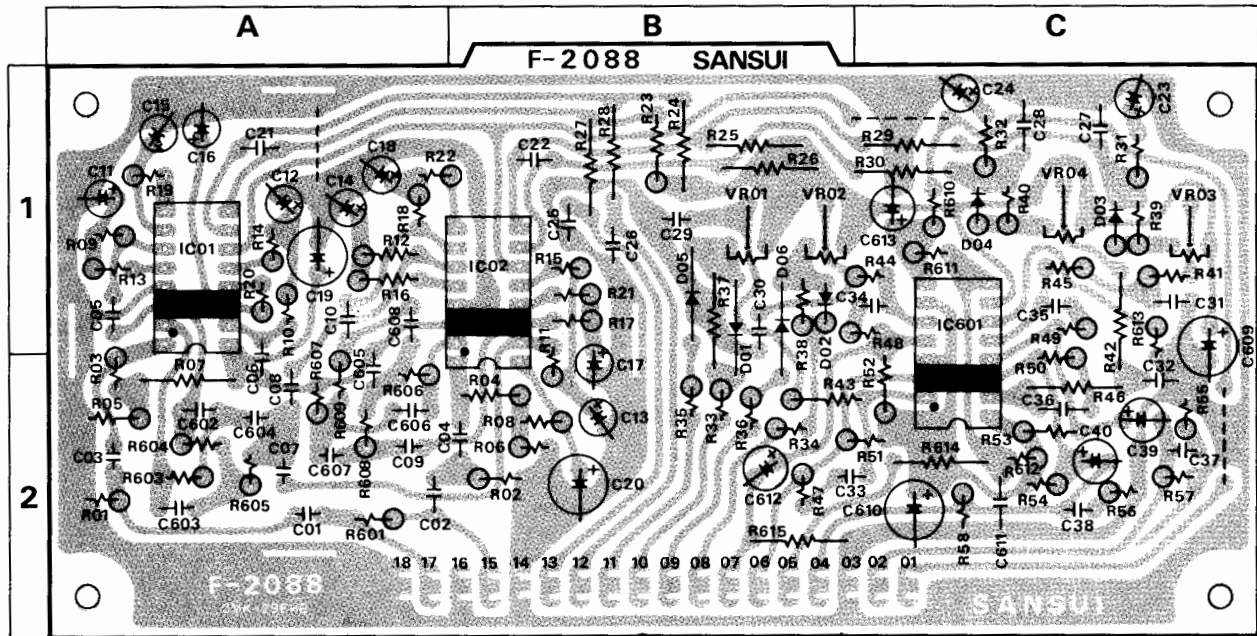
Parts List

Parts No.	Stock No.	Description	Position
R23	0106273	27kΩ	1B
R24	0106273	27kΩ	1B
R25	0107223	22kΩ 1/4W C.R.	1B
R26	0106223	22kΩ	1B
R27	0106223	22kΩ 1/4W C.R. (E.L.R)	1B
R28	0106223	22kΩ 1/4W C.R. (E.L.R)	1B
R29	0107153	15kΩ 1/4W C.R.	2B
R30	0106153	15kΩ	2B
R31	0106153	15kΩ	2B
R32	0106153	15kΩ	2B
R33	0106101	100Ω 1/4W C.R. (E.L.R)	2A, B
R34	0106101	100Ω	1, 2 A B
R35	0106101	100Ω	1A
R36	0106101	100Ω	1A, B
R37	0107152	1.5kΩ 1/4W C.R.	2B
R38	0106152	1.5kΩ	2B
R39, 40	0106104	100kΩ	1B, 1B,C
R41, 42	0106223	22kΩ	2B,C, 1B
R43, 44	0106273	27kΩ	1C
R45, 46	0106224	220kΩ	2B,C,1B,C
R47, 48	0106224	220kΩ	1C
R49, 50	0106224	220kΩ 1/4W C.R. (E.L.R)	1B, C
R51, 52	0106224	220kΩ	1C
R53, 54	0106272	2.7kΩ	1C
R55, 56	0106272	2.7kΩ	1C
R57, 58	0106272	2.7kΩ	2B,C, 1C
R59, 60	0106272	2.7kΩ	1C
R61, 62	0106333	33kΩ	2C, 1C



Parts No.	Stock No.	Description	Position
R63, 64	0106333	33kΩ	1C
R65, 66	0106472	4.7kΩ	2C
R67, 68	0106472	4.7kΩ	2C, 1C
R69, 70	0106104	100kΩ	2C
R71, 72	0106104	100kΩ	2C
R601	0106152	1.5kΩ	1A
R602	0106152	1.5kΩ	1A
R603	0106682	6.8kΩ 1/4W C.R. (E.L.R)	1A
R604	0106683	68kΩ	1, 2 A
R605	0106183	18kΩ	2A
R606	0106224	220kΩ	2A
R607	0106154	150kΩ	2A
R608	0106182	1.8kΩ	2A
R609	0106153	15kΩ	2A
R610	0107223	22kΩ	2A
R611	0107822	8.2kΩ 1/4W C.R.	2B
R612	0106104	100kΩ	2B
R613	0106152	1.5kΩ 1/4W C.R. (E.L.R)	2B

6-10. F-2088 QS Phase Control Circuit Board (Stock No. 7650270 Complete Circuit Board F-2088) Conductor Side



Parts List

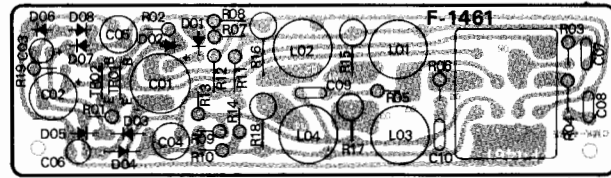
Parts No.	Stock No.	Description	Position
IC01	0360090-1	HA1327	1 A
IC02	0360090-1	HA1327	1 A
IC601	3600100	HD3103	1, 2 C
D01	0311160	1S2473D	1, 2 B
D02	0311160	1S2473D	1 B
D03	0311160	1S2473D	1 C
D04	0311160	1S2473D	1 C
D05	0311160	1S2473D	1 B
D06	0311160	1S2473D	1, 2 B
VR01	1035490	1M Ω (B)	1 B
VR02	1035490	1M Ω (B)	1 B
VR03	1035490	1M Ω (B)	1 C
VR04	1035490	1M Ω (B)	1 C
C01	0600106	0.001 μ F	2 A
C02	0600106	0.001 μ F	2 A
C03	0620331	330pF	2 A
C04	0620331	330pF	2 B
C05	0600396	0.0039 μ F	1 A
C06	0600396	0.0039 μ F	2 A
C07	0620681	680pF	2 A
C08	0620681	680pF	2 A
C09	0620681	680pF	2 A
C10	0620681	680pF	1 A
C11	0513479	4.7 μ F	1 A
C12	0513479	4.7 μ F	1 A
C13	0513479	4.7 μ F	2 B
C14	0513479	4.7 μ F	1 A
C15	0513479	4.7 μ F	1 A
C16	0513479	4.7 μ F	1 A
C17	0513479	4.7 μ F	1, 2 B
C18	0513479	4.7 μ F	1 A
C19	0513330	33 μ F	1 A
C20	0513330	33 μ F	2 B
C21	0600687	0.068 μ F	1 A
C22	0600687	0.068 μ F	1 B

Parts No.	Stock No.	Description	Position
C23	0515109	1 μ F	1 C
C24	0515109	1 μ F	1 C
C25	0600567	0.056 μ F	1 B
C26	0600567	0.056 μ F	1 B
C27	0600567	0.056 μ F	1 C
C28	0600567	0.056 μ F	1 C
C29	0600107	0.01 μ F	1 B
C30	0600107	0.01 μ F	1 B
C31	0600337	0.033 μ F	1 C
C32	0600337	0.033 μ F	2 B
C33	0600226	0.0022 μ F	2 B C
C34	0600226	0.0022 μ F	1 C
C35	0600226	0.0022 μ F	1 C
C36	0600226	0.0022 μ F	2 C
C37	0600187	0.018 μ F	2 C
C38	0600187	0.018 μ F	2 C
C39	0519102	2.2 μ F	2 C
C40	0519102	2.2 μ F	2 C
C601	0660101	100pF	50V C.C.
C602	0600337	0.033 μ F	2 A
C603	0600337	0.033 μ F	50V M.C.
C604	0620471	470pF	50V P.C.
C605	0600687	0.068 μ F	2 A
C606	0600687	0.068 μ F	50V M.C.
C607	0620471	470pF	2 A
C608	0620471	470pF	50V P.C.
C609	0513330	33 μ F	1, 2 C
C610	0513330	33 μ F	2 C
C611	0660151	150pF	50V C.C.
C612	0519102	2.2 μ F	50V E.C. (BRN)
C613	0513100	10 μ F	25V E.C.
R01	0106224	220k Ω	2 A
R02	0106224	220k Ω	2 B
R03	0106684	680k Ω	1, 2 A
R04	0106684	680k Ω	2 B
R05	0106334	330k Ω	2 A
R06	0106334	330k Ω	2 B
R07	0107684	680k Ω	1/4 W C.R.

6-11. F-1461B Protector Circuit Board

(Stock No. 7592230 Complete Circuit Board F-1461B)

Conductor Side



Parts List

Parts No.	Stock No.	Description	Position
R08	0106684	680kΩ	2 B
R09	0106274	270kΩ	1 A
R10	0106274	270kΩ	1 A
R11	0106334	330kΩ	1, 2 B
R12	0106334	330kΩ	1 A
R13	0106124	120kΩ	1 A
R14	0106124	120kΩ	1/4 W C.R. (E.L.R)
R15	0106124	120kΩ	1 B
R16	0106124	120kΩ	1 A
R17	0106334	330kΩ	1 B
R18	0106334	330kΩ	1 A
R19	0106394	390kΩ	1 A
R20	0106394	390kΩ	1 A
R21	0106124	120kΩ	1 B
R22	0106124	120kΩ	1/4 W C.R. (E.L.R)
R23	0106124	120kΩ	1 B
R24	0107124	120kΩ	1 B
R25	0107124	120kΩ	1 B
R26	0107124	120kΩ	1 B
R27	0107563	56kΩ	1/4 W C.R.
R28	0107563	56kΩ	1 B
R29	0107563	56kΩ	1 C
R30	0107563	56kΩ	1 C
R31	0106563	56kΩ	1 C
R32	0106563	56kΩ	1 C
R33	0106474	470kΩ	2 B
R34	0106474	470kΩ	2 B
R35	0106564	560kΩ	2 B
R36	0106564	560kΩ	2 B
R37	0113225	2.2MΩ	1 B
R38	0113225	2.2MΩ	1 B
R39	0113155	1.5MΩ	1/4 W S.R.
R40	0113155	1.5MΩ	1 C
R41	0106334	330kΩ	1/4 W C.R. (E.L.R)
R42	0107334	330kΩ	1/4 W C.R.
R43	0106105	1MΩ	2 B
R44	0106105	1MΩ	1/4 W C.R. (E.L.R)
R45	0106105	1MΩ	1 C
R46	0107105	1MΩ	1/4 W C.R.
R47	0106104	100kΩ	2 B
R48	0106104	100kΩ	1 B, C
R49	0106104	100kΩ	2 C
R50	0106104	100kΩ	1/4 W C.R. (E.L.R)
R51	0106123	12kΩ	2 B, C
R52	0106123	12kΩ	2 C
R53	0106153	15kΩ	2 C
R54	0106153	15kΩ	2 C
R55	0106561	560Ω	2 C
R56	0106561	560Ω	2 C
R57	0106333	33kΩ	2 C
R58	0106333	33kΩ	2 C
R601	0106224	220kΩ	2 A
R603	0106682	6.8kΩ	2 A
R604	0106682	6.8kΩ	2 A
R605	0106333	33kΩ	1/4 W C.R. (E.L.R)
R606	0106682	6.8kΩ	2 A
R607	0106682	6.8kΩ	2 A
R608	0106683	68kΩ	2 A
R609	0106683	68kΩ	2 A
R610	0106472	4.7kΩ	1 C
R611	0106272	2.7kΩ	1 C
R612	0106223	22kΩ	2 C
R613	0106103	10kΩ	1, 2 C
R614	0107272	2.7kΩ	2 C
R615	0107104	100kΩ	1/4 W C.R.

Parts No.	Stock No.	Description
TR01	0306132, 3	2SC1364 (7, 8) } Transistor
TR02	0306132, 3	2SC1364 (7, 8) }
D01	0310340	10D-1 } Diode
D02	0310340	10D-1 }
D03	0310400	1N34A }
D04	0310400	1N34A }
D05	0310400	1N34A }
D06	0310400	1N34A }
D07	0310400	1N34A }
D08	0310400	1N34A }
C01	0515330	33μF 50V } E.C.
C02	0510471	470μF 6.3V }
C03	0515109	1μF 50V }
C04	0530470	47μF } 6.3V BP.E.C.
C05	0530470	47μF }
C06	0535109	1μF 50V BP.E.C.
C07	0601108	0.1μF } 50V M.C.
C08	0601108	0.1μF }
C09	0601108	0.1μF }
C10	0601108	0.1μF }
R01	0106100	10Ω } 1/4 W C.R. (E.L.R)
R03	0200100	10Ω }
R04	0200100	10Ω }
R05	0200100	10Ω } 1/2 W C.R.
R06	0200100	10Ω }
R07	0106473	47kΩ } 1/4 W C.R. (E.L.R)
R08	0106473	47kΩ }
R09	0106473	47kΩ }
R10	0106473	47kΩ }
R11	0106332	3.3kΩ }
R12	0106332	3.3kΩ }
R13	0106332	3.3kΩ }
R14	0106332	3.3kΩ }
R15	0111689	6.8Ω } 1/2 W C.R.
R16	0111689	6.8Ω }
R17	0111689	6.8Ω }
R18	0111689	6.8Ω }
R19	0106562	5.6kΩ } 1/4 W C.R. (E.L.R)
R901	0107332	3.3kΩ } 1/4 W C.R.
L01	4290210	2.5μH } Inductor
L02	4290210	2.5μH }
L03	4290210	2.5μH }
L04	4290210	2.5μH }
RL601	1150101	Relay

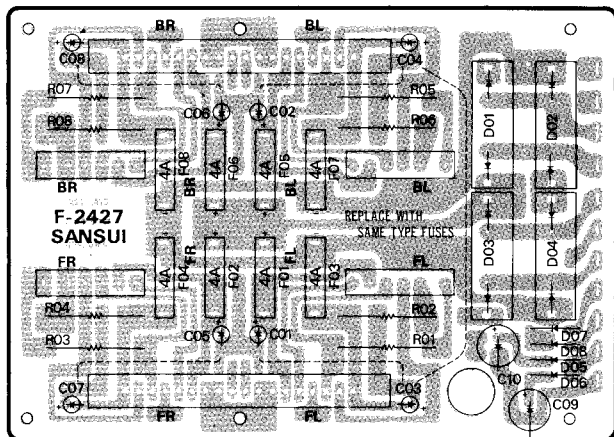
Abbreviations

C.R. : Carbon Resistor	BP.E.C.: Bi-Polar Electrolytic Capacitor
S.R. : Solid Resistor	C.C. : Ceramic capacitor
Ce.R. : Cement Resistor	Mi.C. : Mica Capacitor
M.R. : Metallized Film Resistor	O.C. : Oil Capacitor
M.C. : Mylar Capacitor	P.C. : Polystyrene Capacitor
E.C. : Electrolytic Capacitor	T.C. : Tantalum Capacitor

6-12. F-2427A Power Supply Circuit Board

(Stock No. 7500970 Complete Circuit Board F-2427A)

Conductor Side

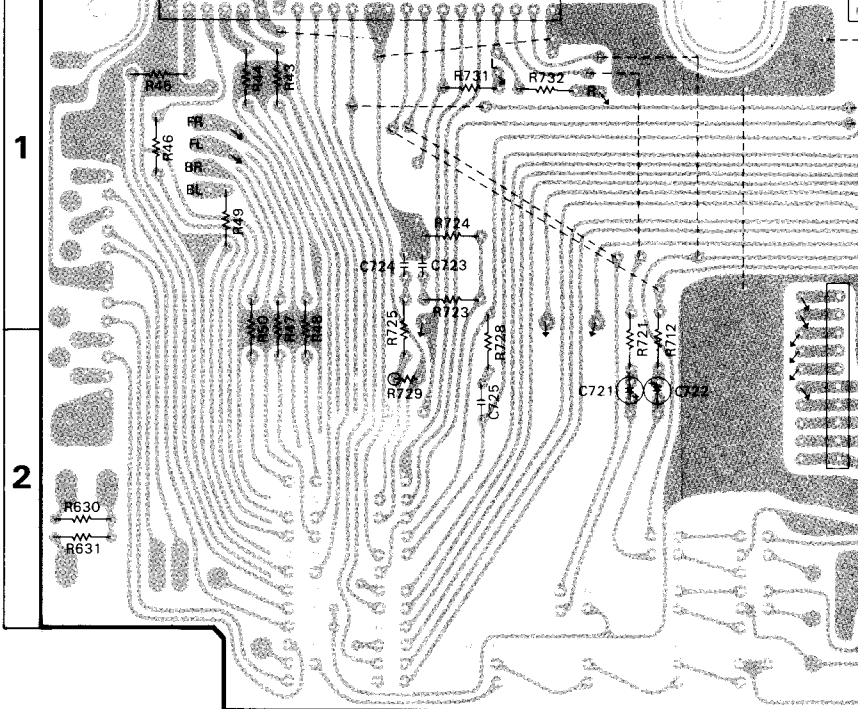


Parts List

Parts No.	Stock No.	Description
D01	0311310	SS-5
D02	0311320	SS-5R
D03	0311310	SS-5
D04	0311320	SS-5R
D05	0310340	10D-1
D06	0310340	10D-1
D07	0310340	10D-1
D08	0310340	10D-1
} Diode		
C01	0515109	1 μ F
C02	0515109	1 μ F
C03	0515109	1 μ F
C04	0515109	1 μ F
C05	0515109	1 μ F
C06	0515109	1 μ F
C07	0515109	1 μ F
C08	0515109	1 μ F
C09	0511471	470 μ F
C10	0511471	470 μ F
C901	0655107	0.01 μ F
C902	0655107	0.01 μ F
} 50V E.C.		
} 10V E.C.		
} 500V C.C.		
R01	0133338	0.33 Ω
R02	0133338	0.33 Ω
R03	0133338	0.33 Ω
R04	0133338	0.33 Ω
R05	0133338	0.33 Ω
R06	0133338	0.33 Ω
R07	0133338	0.33 Ω
R08	0133338	0.33 Ω
	0433620	3A 250V (20mm) Quick Actinh F ^{use}
} 3W Ce.R.		

6-13. F-2428 Filter & Power Supply Circuit Board (Stock No. 7500970 Complete Circuit Board F-2428A)

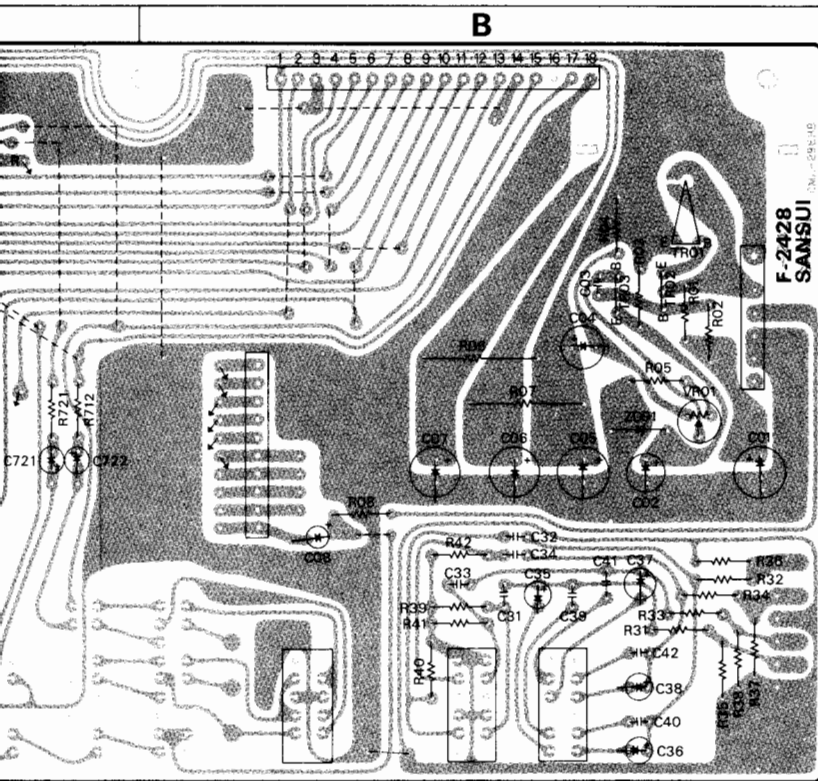
Conductor Side



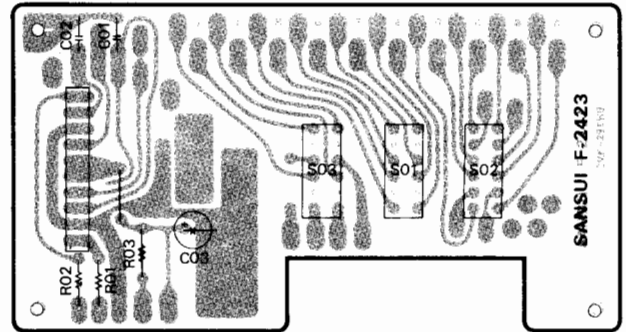
Parts List

Parts No.	Stock No.	Description	Position	Parts No.	
TR01	0308410~2	2SD314 (C, D, E)	} Transistor	R04	
TR02	0305930~2	2SC1211 (C, D, E)		R05	
TR03	0306130~2	2SC1364 (5, 6, 7)		R07	
ZD01	0315750	EQA-01-06R Zener Diode	2B	R08	
C01	0515101	100 μ F 50V E.C.	2B	R601	
C02	0511101	100 μ F 10V E.C.	2B	R620	
C03	0657102	0.001 μ F 50V C.C.	1B	R621	
C04	0515470	47 μ F	} 50V E.C.	R721	
C05	0515101	100 μ F		2B	R722
C06	0513221	220 μ F	} 25V E.C.	R723	
C07	0513221	220 μ F		2B	R724
C721	0513100	10 μ F	} 25V E.C.	R725	
C722	0513100	10 μ F		2A	R726
C723	0600157	0.015 μ F	1A	R727	
C724	0600227	0.022 μ F	} 50V M.C.	R728	
C725	0600567	0.056 μ F		2A	R729
C601	0511331	330 μ F 10V E.C.		R730	
R01	0107472	4.7k Ω	} 1/4W C.R.	R731	
R02	0107472	4.7k Ω		1B	VR01
R03	0107562	5.6k Ω		1B	

Circuit Board (Stock No. 7592240 Complete Circuit Board F-2428)



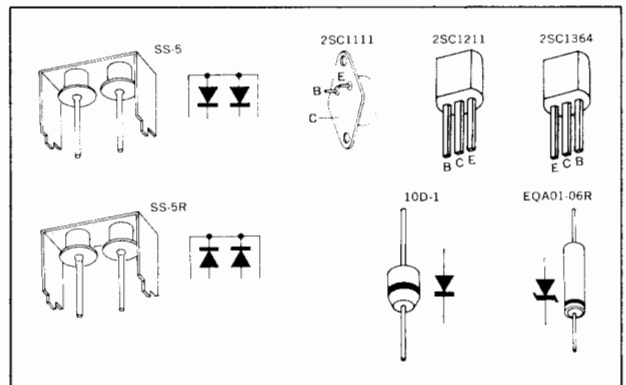
6-14. F-2423 Filter & Switch Circuit Board Conductor Side



Parts List

Parts No.	Stock No.	Description
C01	0657473	0.047 μ F } 50V C.C.
C02	0657473	
C03	0515101	100 μ F 50V E.C.
C901	0660221	220pF } 50V C.C.
C902	0660221	
R01	0107101	100 Ω } $\frac{1}{4}$ W C.R.
R02	0107101	
R03	0107101	
S01	1130940	SUB3-4 (3 Stage) Push Switch
S02	1130940	
S03	1130940	

Position	Parts No.	Stock No.	Description	Position
	R04	0107223	22k Ω } $\frac{1}{4}$ W C.R.	1 B
	R05	0107122	1.2k Ω } $\frac{1}{4}$ W C.R.	1 B
	R07	0182151	150 Ω } 2W Ce.R.	2 B
	R08	0182181	180 Ω } 2W Ce.R.	2 B
	R601	0192829	8.2 Ω } $\frac{1}{2}$ W F.R.	
	R620	0107102	1k Ω } $\frac{1}{4}$ W C.R.	
	R621	0107102	1k Ω } $\frac{1}{4}$ W C.R.	
	R721	0107562	5.6k Ω } $\frac{1}{4}$ W C.R.	1, 2 A
	R722	0107392	3.9k Ω } $\frac{1}{4}$ W C.R.	1 A
	R723	0107681	680 Ω } $\frac{1}{4}$ W C.R.	1 A
	R724	0107152	1.5k Ω } $\frac{1}{4}$ W C.R.	1 A
	R725	0107471	470 Ω } $\frac{1}{4}$ W C.R.	1, 2 A
	R726	0107182	1.8k Ω } $\frac{1}{4}$ W C.R.	1, 2 A
	R727	0107182	1.8k Ω } $\frac{1}{4}$ W C.R.	1, 2 A
	R728	0107121	120 Ω } $\frac{1}{4}$ W C.R.	1, 2 A
	R729	0107563	56k Ω } $\frac{1}{4}$ W C.R.	2 A
	R730	0107563	56k Ω } $\frac{1}{4}$ W C.R.	1 A
	R731	0107563	56k Ω } $\frac{1}{4}$ W C.R.	1 A
	VR01	1035350	4.7k Ω (B) Semi-Variable Resistor 1, 2 B (Solid Type)	

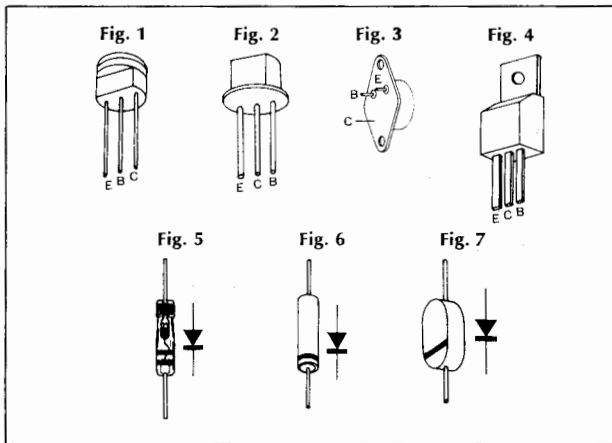


Abbreviations

C.R. : Carbon Resistor	BP.E.C.: Bi-Polar Electrolytic Capacitor
S.R. : Solid Resistor	C.C. : Ceramic capacitor
Ce.R. : Cement Resistor	Mi.C. : Mica Capacitor
M.R. : Metallized Film Resistor	O.C. : Oil Capacitor
M.C. : Mylar Capacitor	P.C. : Polystyrene Capacitor
E.C. : Electrolytic Capacitor	T.C. : Tantalum Capacitor

6-15. Interchangeability of Transistors and Diodes

ORIGINAL		SUBSTITUTES		
Name	Use	Name	Stock No	Figure
2SC930	F-1519	2SC1047	0305800	1
2SC711	F-1507	2SC1000	0305880	2
2SC1111	F-2428	2SC793	0305450	3
2SC1211	F-2428	2SC1124	0305900	4
2SC945	F-2475	2SC1000	0305880	2
2SC1222	F-2475	2SC1000	0305880	2
2SC1111	Power	2SC793	0305450	3
IN60P	F-1507	IN34A(YEL)	0310401	5
IS2473	F-2088	IS953	0311050	6
10D-1	F-1461	S-1.5-02	0310960	7



6-16. Other Parts (Top Side) Parts List

Parts No.	Stock No.	Description	
TR701	0308330-2	2SD315 (C, D, E)	
TR702	0308330-2	2SD315 (C, D, E)	
TR703	0308330-2	2SD315 (C, D, E)	
TR704	0308330-2	2SD315 (C, D, E)	
TR705	0308330-2	2SD315 (C, D, E)	
TR706	0308330-2	2SD315 (C, D, E)	
TR707	0308330-2	2SD315 (C, D, E)	
TR708	0308330-2	2SD315 (C, D, E)	
L701	4200680	Bar Antenna (ARS-28A)	
	5266041	Holder, Bar Antenna	
	5246070	Retainer, Bar Antenna	
C703	0559107	10000 μ F 35V	
	C704	0559107	10000 μ F 35V
	C705	0559509	1000 μ F 63V
PT01	4002170	Power Transformer	
PU01	2410080	Voltage Selector, Socket	
	2410090	Voltage Selector, Plug	
	3800020	Power Cord	
		F-2426 Protector Circuit Board	
TS701	0320110	TS3-85 Thermistor	
R01	0107223	22k Ω	
R02	0107823	82k Ω	

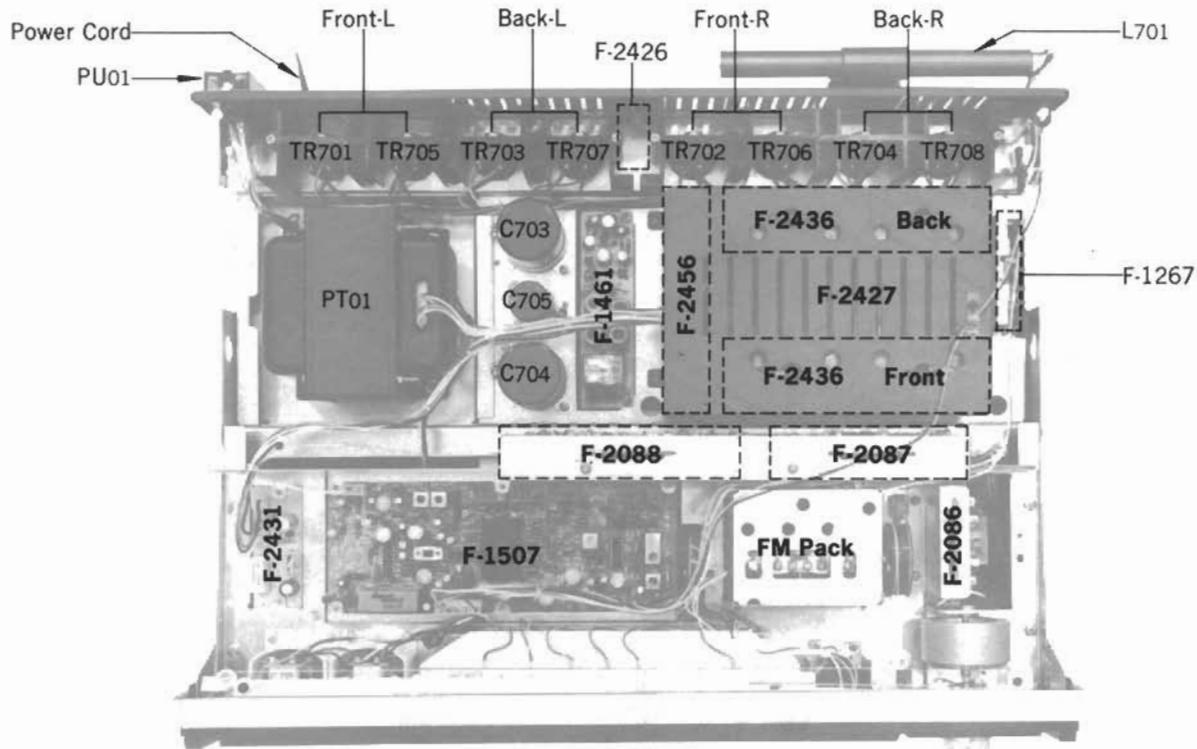
6-17. Other Parts (Bottom Side) Parts List

Parts No.	Stock No.	Description
L702	4290021	75 : 300 Ω FM Balun
C701	0605337	0.033 μ F 250V
C702	0605476	0.0047 μ F 250V
R701	0103122	1.2k Ω $\frac{1}{2}$ W C.R.
R702	0171391	390 Ω
R703	0171391	390 Ω
R704	0171391	390 Ω
R705	0171391	390 Ω
R711	0107224	220k Ω
R712	0107224	220k Ω
R713	0107104	100k Ω
R714	0107104	100k Ω
F701	0431280, 2	5A (100~117V)
	0431260, 2	3A (220~240V)
	2300060	Fuse Holde
CO701	2450060	AC Outlet
CO702	2450060	
	2430040	DIN Connector
	2200350	10P Input Terminal
	2200400	3P Input Terminal
	2210190	Antenna Terminal
	2290100	Speaker Terminal
	2230050	Ground Terminal

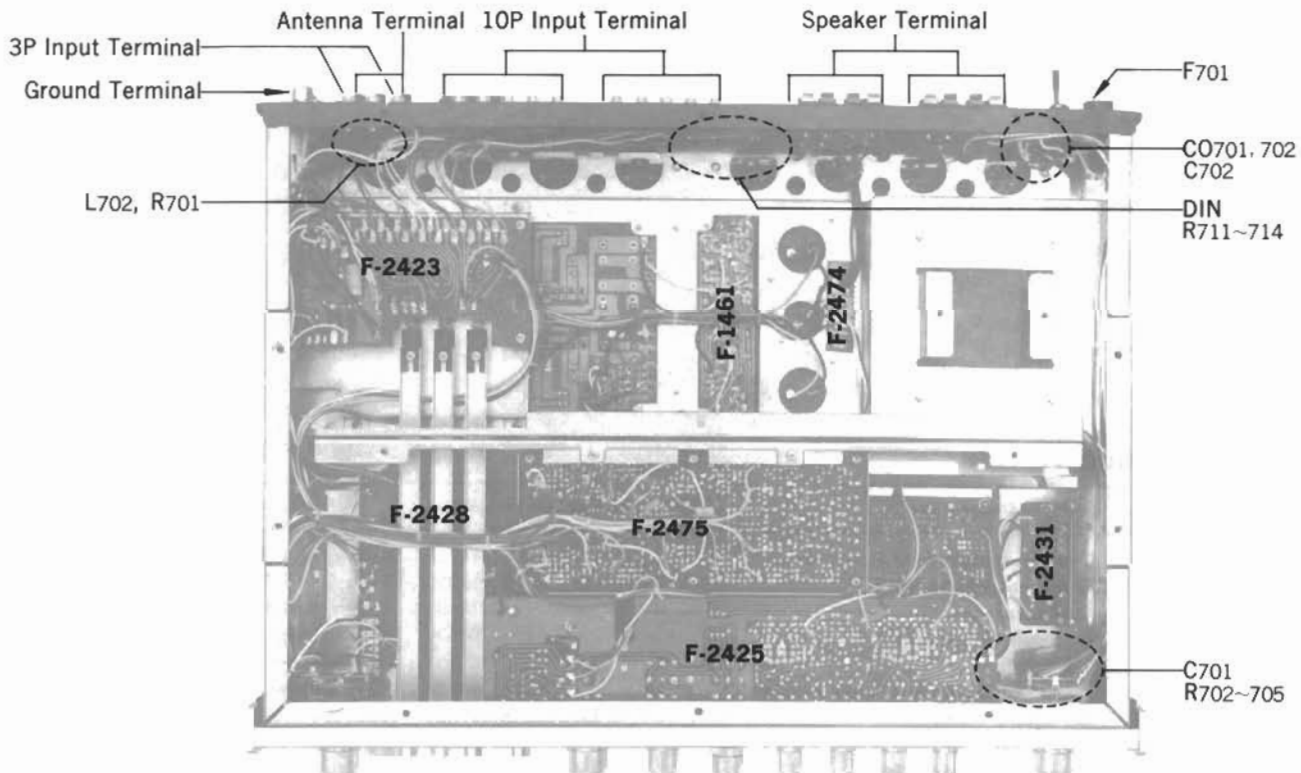
Abbreviations

C.R. : Carbon Resistor	BP.E.C.: Bi-Polar Electrolytic Capacitor
S.R. : Solid Resistor	C.C. : Ceramic capacitor
Ce.R. : Cement Resistor	Mi.C. : Mica Capacitor
M.R. : Metallized Film Resistor	O.C. : Oil Capacitor
M.C. : Mylar Capacitor	P.C. : Polystyrene Capacitor
E.C. : Electrolytic Capacitor	T.C. : Tantalum Capacitor

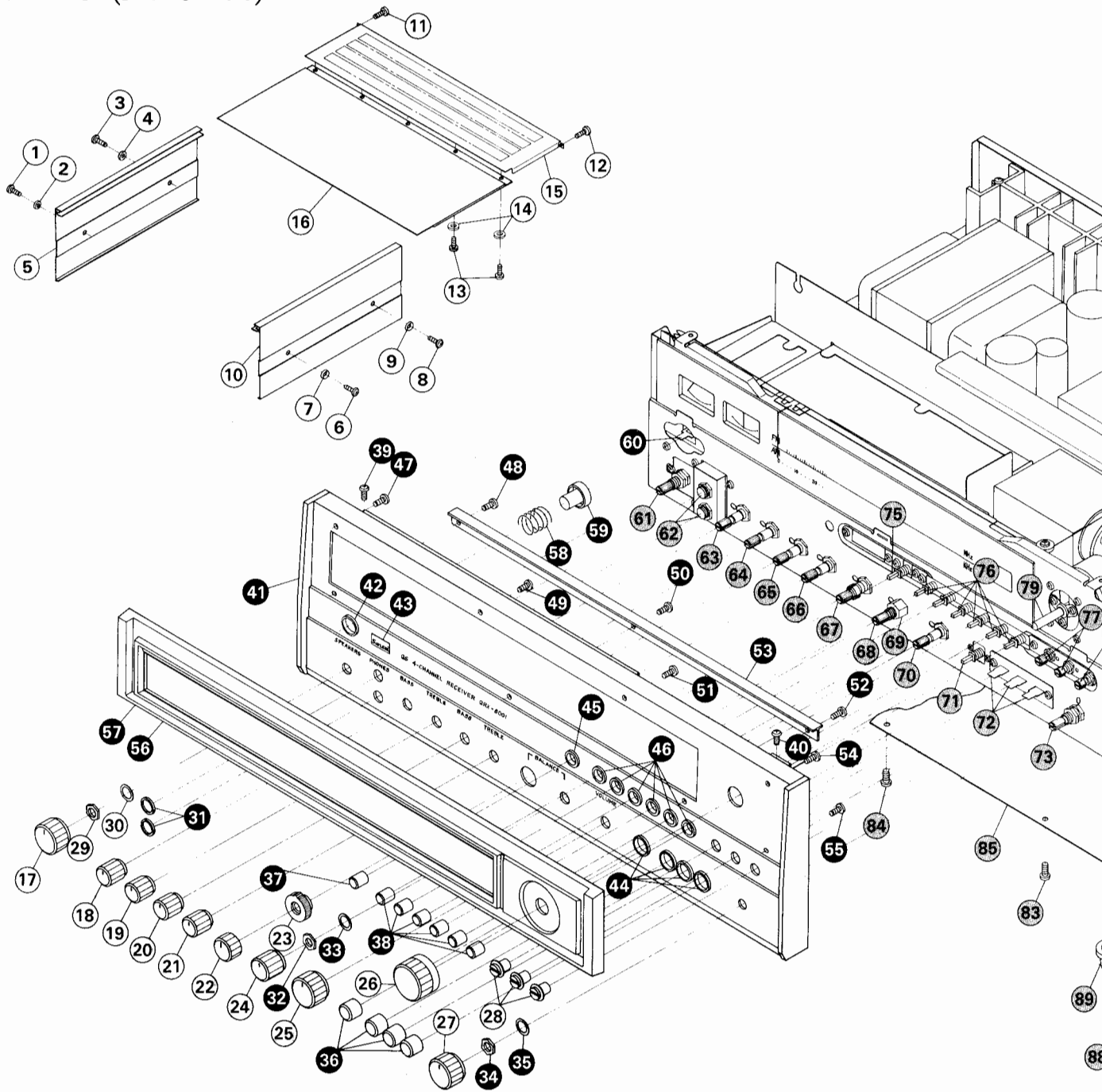
Top Side



Bottom Side



6-18. Other Parts (Front Side)

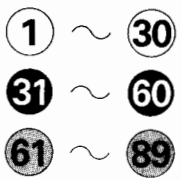
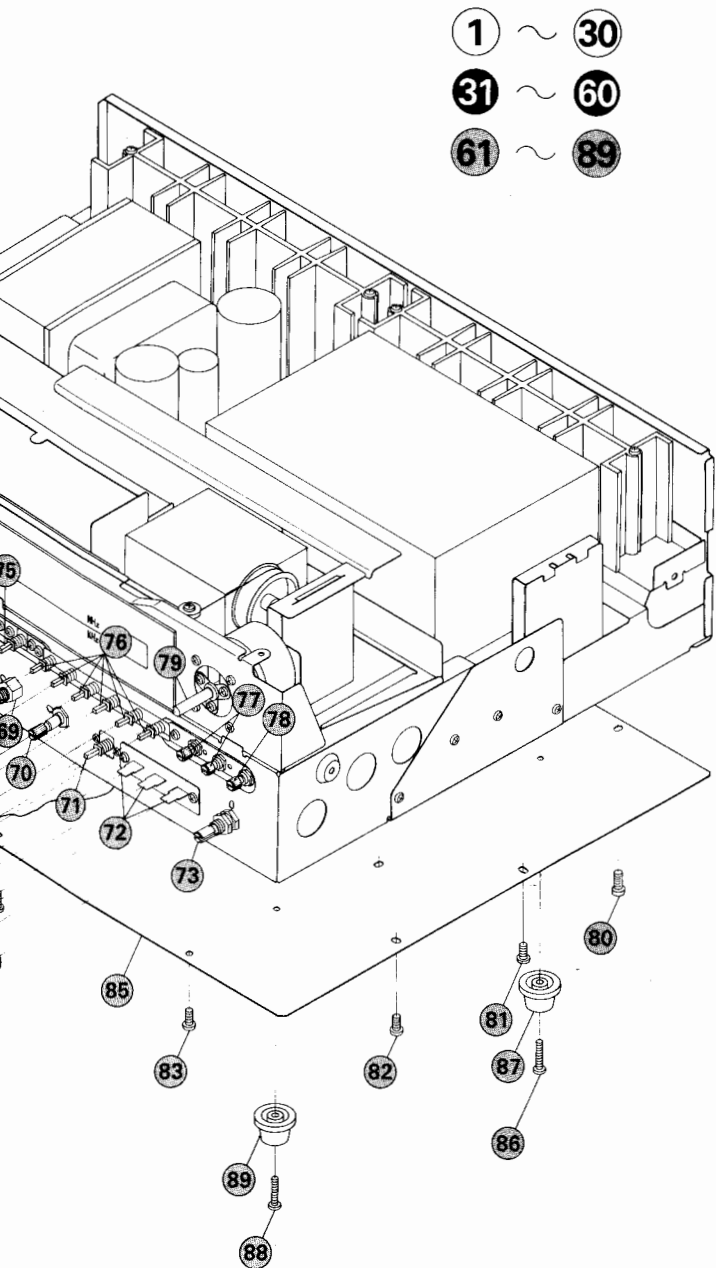


Parts List (Section 1)

Parts No.	Stock No.	Description
1	5104162	Oval Countersunk Head Screw, M4×8
2	5123060	Corrugated Washer, M4φ
3	5104162	Oval Countersunk Head Screw, M4×8
4	5123060	Corrugated Washer, M4φ
5	5309400	Side Panel
6	5104162	Oval Countersunk Head Screw, M4×8
7	5123060	Corrugated Washer, M4φ
8	5104162	Oval Countersunk Head Screw, M4×8
9	5123060	Corrugated Washer, M4φ
10	5309400	Side Panel

Parts No.	Stock No.	Description
11	5109222	Binding Head Tapping Screw, 3×8
12	5109222	Binding Head Tapping Screw, 3×8
13	5101063	Binding Head Screw, M4×10
14	5120162	Washer, M4φ
15	5058250	Top Cover (Metal)
16	5726880	Top Cover (Wood)
17	5317730	M-3 Type Knob, SPEAKERS
18	5318060	S-8 Type Knob, BASS volume
19	5318060	S-8 Type Knob, TREBLE volume
20	5318060	S-8 Type Knob, BASS volume

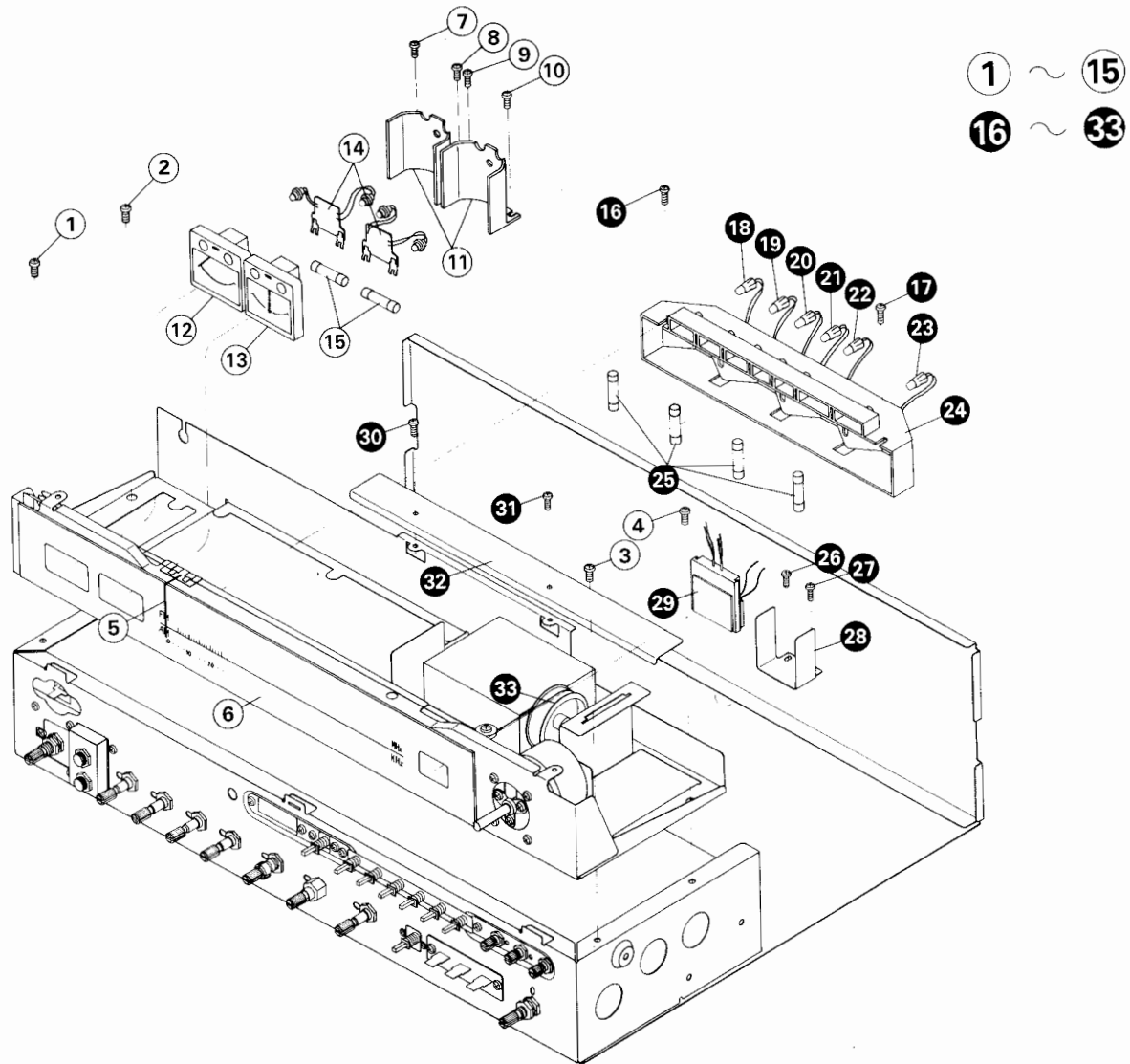
Parts No.	Stock No.	Description
21		
22		
23		
24		
25		
26		
27		
28		
29		
30		



Parts No.	Stock No.	Description
21	5318060	S-8 Type Knob, TREBLE volume
22	5317760	W1-2 Type Knob, BALANCE volume (Front)
23	5317671	W0-1 Type Knob, BALANCE volume (Back)
24	5317740	S-3 Type Knob, BALANCE volume
25	5317730	M-3 Type Knob, VOLUME
26	5318051	T-9 Type Knob, TUNING
27	5317730	M-3 Type Knob, SELECTOR
28	5318030	Knob, CD-4 volume
29	5110781	Hex. Nut, M9
30	5120184	Plain Washer, M9φ

Parts No.	Stock No.	Description
31	5176052	Nut, Jack
32	5110781	Hex. Nut, M9
33	5120184	Plain Washer, M9φ
34	5110781	Hex. Nut, M9
35	5120184	Plain Washer, M9φ
36	5326490	Push Button
37	5326430	Push Button
38	5326430	Push Button
39	5102543	Flat Countersunk Head Screw, M3×6
40	5102543	Flat Countersunk Head Screw, M3×6
41	7007020	Front Panel Ass'y
42	5186270	Knob Ring
43	5336500	Mark, Sansui
44	5396190	Knob Ring
45	5396200	Knob Ring
46	5396200	Knob Ring
47	5109122	Binding Head Tapping Screw, 3×8
48	5109122	Binding Head Tapping Screw, 3×8
49	5109122	Binding Head Tapping Screw, 3×8
50	5109122	Binding Head Tapping Screw, 3×8
51	5109122	Binding Head Tapping Screw, 3×8
52	5109122	Binding Head Tapping Screw, 3×8
53	5286010	Stopper, Grass Plate
54	5109122	Binding Head Tapping Screw, 3×8
55	5109122	Binding Head Tapping Screw, 3×8
56	5047780	Grass Plate
57	5309390	Frame, Grass Plate
58	6906031	Spring, POWER Switch
59	7106083	Push Button, POWER Switch
60	1130350	Push Switch, POWER
61	1102580, 1	Rotary Switch Y-2-4-4, SPEAKERS
62	2430200	Headphone Jack
63	1010930, 1	100kΩ (B)×2, BASS Volume
64	1010930, 1	100kΩ (B)×2, TREBLE Volume
65	1010930, 1	100kΩ (B)×2, BASS Volume
66	1010930, 1	100kΩ (B)×2, TREBLE Volume
67	1060350, 1	250kΩ (MN)×4, BALANCE Volume (Dual Shaft VR)
68	1060360, 1	250kΩ (MN)×4, BALANCE Volume
69	5236450	Spacer Nut, M8×11, 5
70	1060340, 1	250kΩ (B)×4, VOLUME
71	1130960	Push Switch, LOUDNESS
72	1130940	Push Switch (3 Stage), TAPE MON. AUX
73	1102600, 1	Rotary Switch Y-2-5-4, SELECTOR
75	1130970	Push Switch, PLUS BACK
76	1130930	Push Switch (6 Stage), FUNCTION
77	1005180	50kΩ (C), CD-4 SEPARATION Volume
78	1015120	10kΩ (B), CD-4 CARRIER LEVEL volume
79	7036361	Tuning Ass'y
80	5101161	Binding Head Screw, M4×6
81	5101161	Binding Head Screw, M4×6
82	5101161	Binding Head Screw, M4×6
83	5101161	Binding Head Screw, M4×6
84	5101161	Binding Head Screw, M4×6
85	5058240	Bottom Plate
86	5100665	Binding Head Tapping Screw, 4×16
87	5516821	Foot
88	5100665	Binding Head Tapping Screw, 4×16
89	5516821	Foot

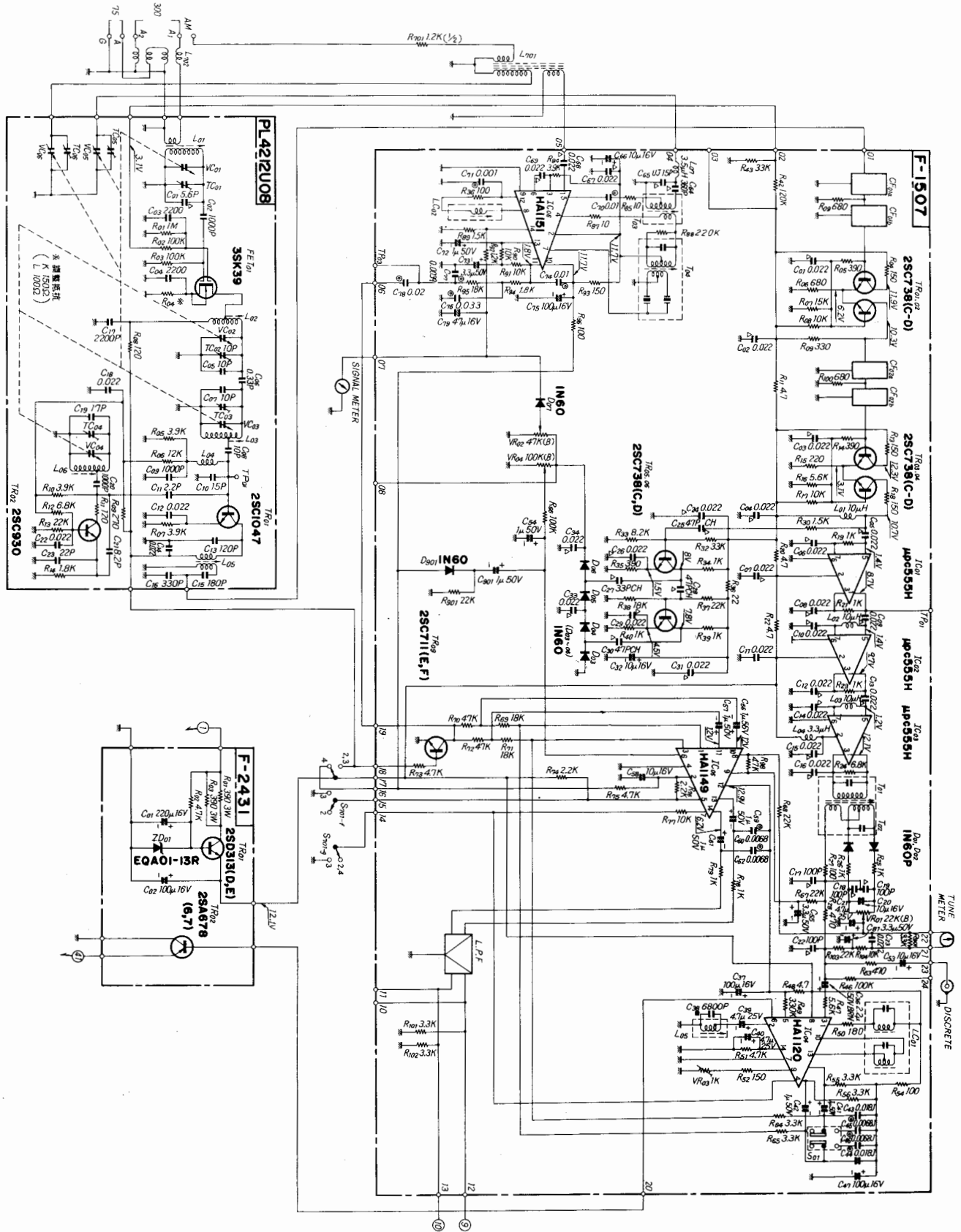
6-19. Other Parts (Front Side)



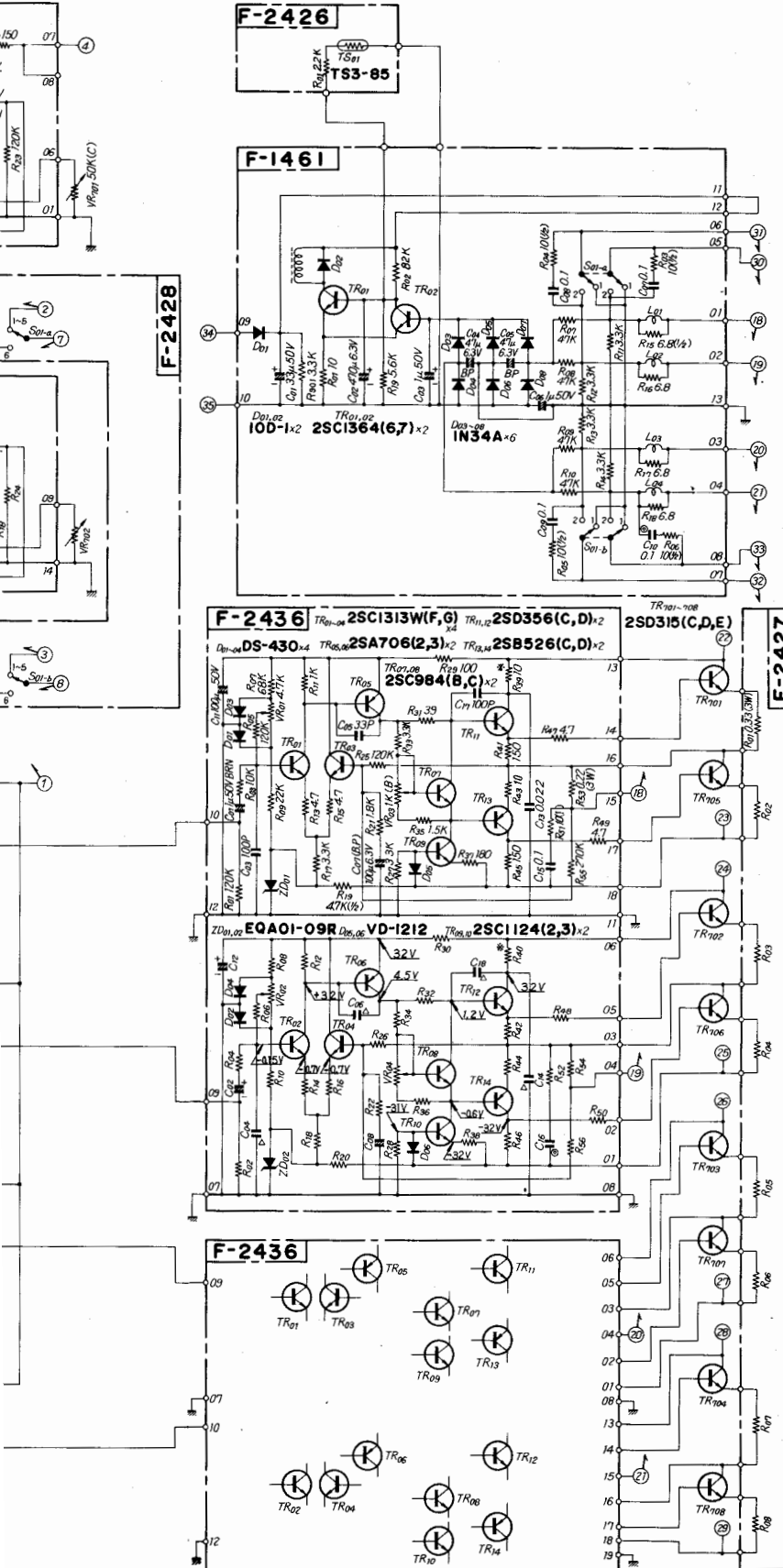
Parts List (Section 2)

Parts No.	Stock No.	Description	Parts No.	Stock No.	Description
1	5101061	Binding Head Screw, M4×6	17	5166460	Washer Head Tapping Screw, 3×8
2	5101061	Binding Head Screw, M4×6	18	0400310	Lead Type Lamp (7V 100mA), FM STEREO INDICATOR
3	5101061	Binding Head Screw, M4×6	19	0400340	Lead Type Lamp (7V 100mA), HALL
4	5101061	Binding Head Screw, M4×6	20	0400340	Lead Type Lamp (7V 100mA), SURROUND
5	{5516030	Teflon Sheet	21	0400340	Lead Type Lamp (7V 100mA), QS
	{5416390	Dial Pointer	22	0400340	Lead Type Lamp (7V 100mV), ※ SQ
6	5407772	Dial Scale	23	0400390	Lead Type Lamp (6V 30mA), CD-4
7	5166460	Washer Head Tapping Screw, 3×8	24	5066211	Illuminator Box
8	5166460	Washer Head Tapping Screw, 3×8	26	5109122	Binding Head Tapping Screw, 3×8
9	5166460	Washer Head Tapping Screw, 3×8	27	5109122	Binding Head Tapping Screw, 3×8
10	5166460	Washer Head Tapping Screw, 3×8	28	5266812	Holder, digital indicator
11	5269330	Holder, Meter	29	7726110	Digital Indicator
12	4300610, 1	SIGNAL Meter	30	5109122	Binding Head Tapping Screw, 3×8
13	4300600, 1	TUNE Meter	31	5109122	Binding Head Tapping Screw, 3×8
14	7726060	Meter Lamp Unit	32	5286030	Holder, Driver Circuit Board
15	0420040	Fuse Type Lamp (7V 300mA)	33	6146651	Dial Pulley (D44φ)
16	5166460	Washer Head Tapping Screw, 3×8			

7. SCHEMATIC DIAGRAM OF TUNER SECTION



* Design and specifications subject to change without notice for improvements.

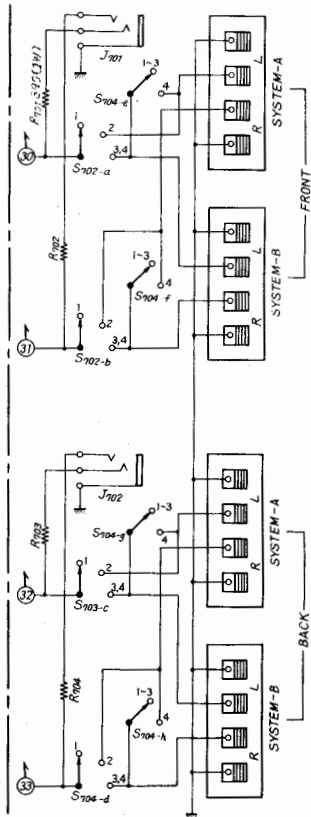


- SWITCHES**
- SELECTOR S₁₀₁(a-g)**
 1. PHONO
 2. FM AUTO
 3. FM MONO (FM, MUT, OFF)
 4. AM
 - FUNCTION S₁₀₁(a-j)**
 1. 2-CH
 2. SYNTHESIZER SURROUND
 3. SYNTHESIZER HALL
 4. QS
 5. SQ
 6. CD-4/DIRECT
 - TAPE MONITOR 1 S₁₀₁(a-d)**
 1. OFF
 2. ON
 - TAPE MONITOR 2 S₁₀₂(a-d)**
 1. OFF
 2. ON
 - LOUDNESS S₁₀₁(a-d)**
 1. OFF
 2. ON
 - SPEAKER S₁₀₂(a-h)**
 1. OFF
 2. A
 3. B
 4. A+B
 - AUX S₁₀₃(a-d)**
 1. OFF
 2. ON
 - PLUS BACK S₁₀₂(a,b)**
 1. OFF
 2. ON
 - PROTECTOR RELAY S₁₀₁(a,b)**
 1. OFF
 2. ON

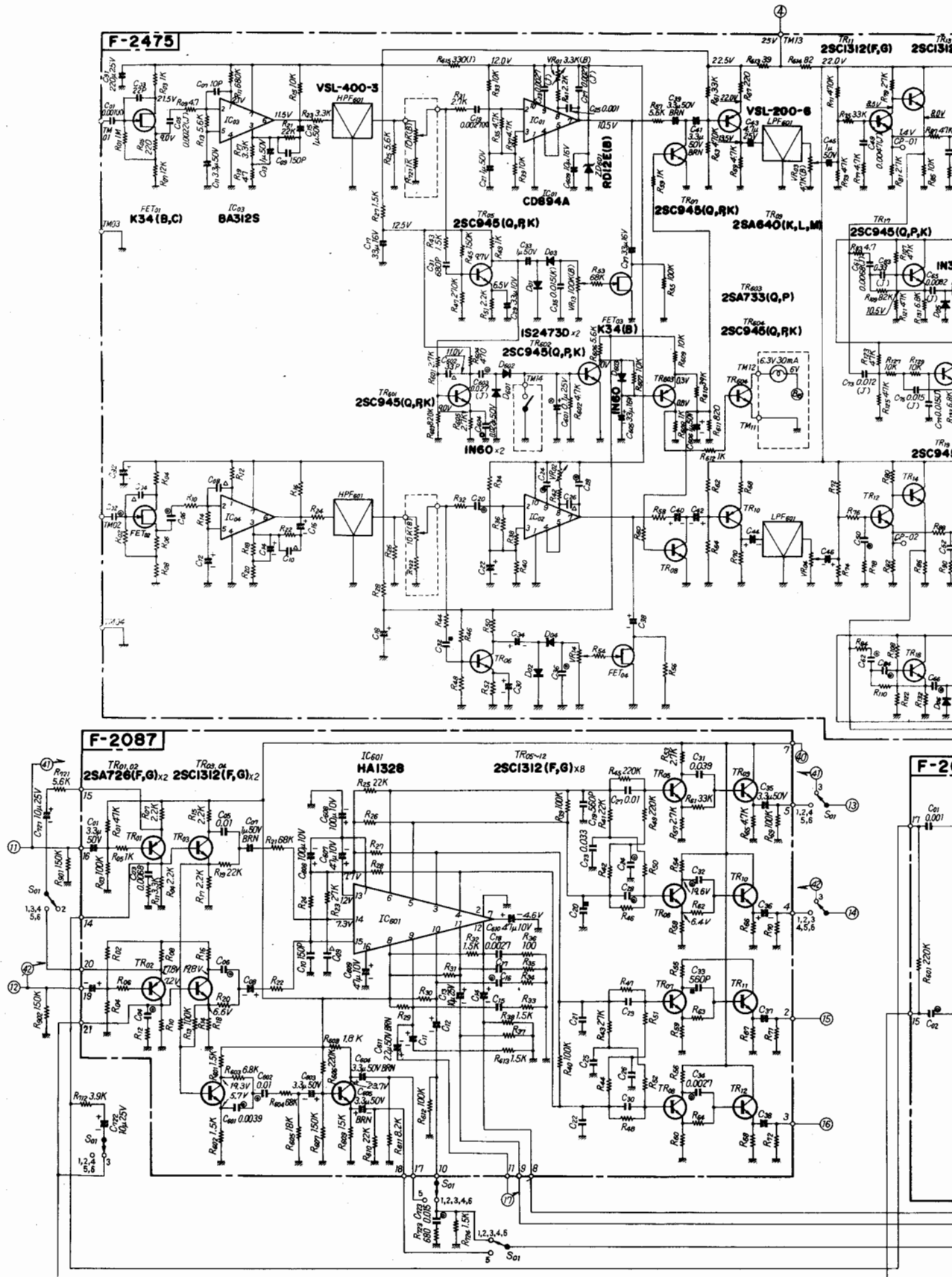
SYMBOL

- △ CERAMIC
- OIL
- MYLAR
- MICA
- STYROL
- TANTALUM

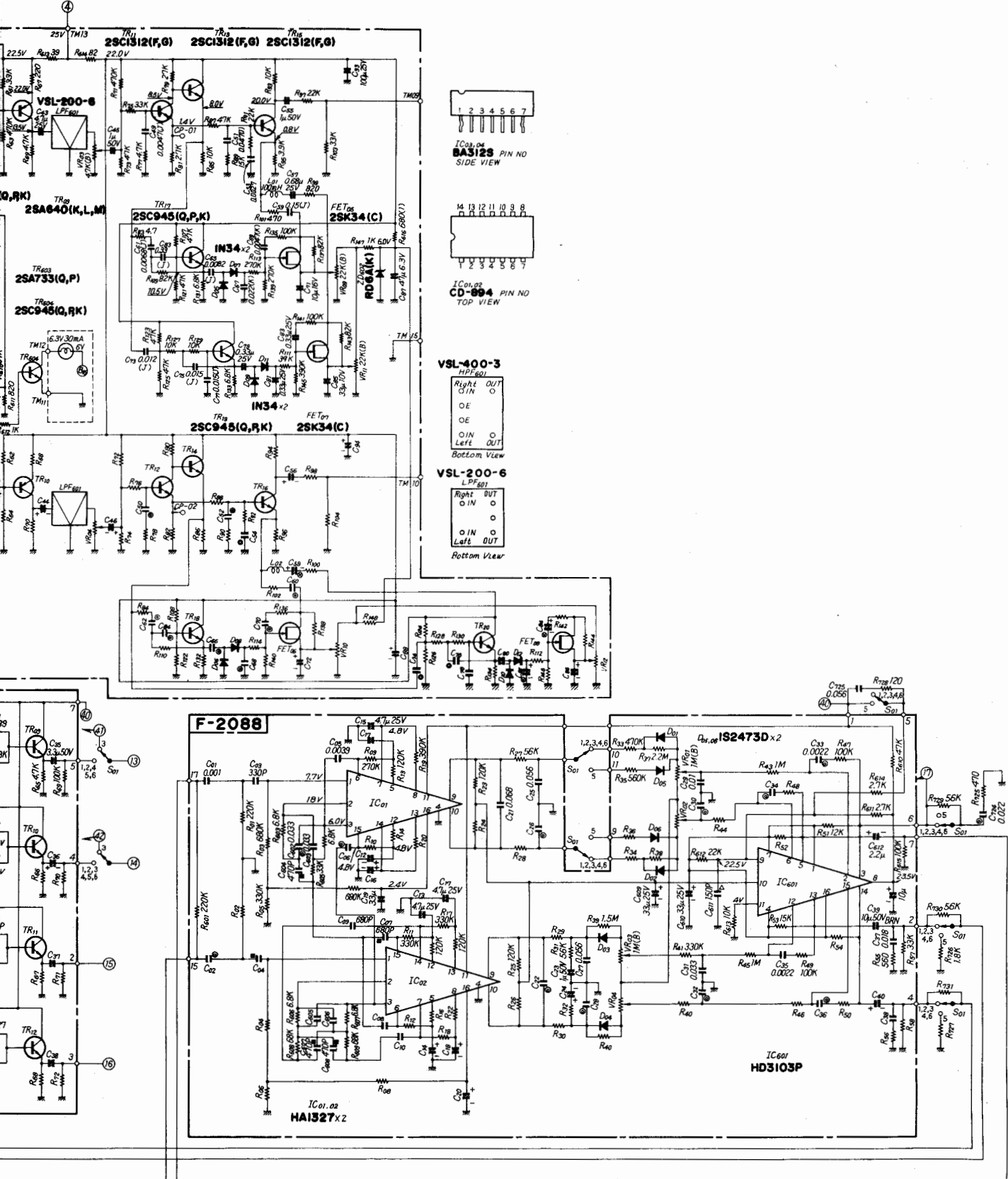
* Fusing Resistor for CSA Model



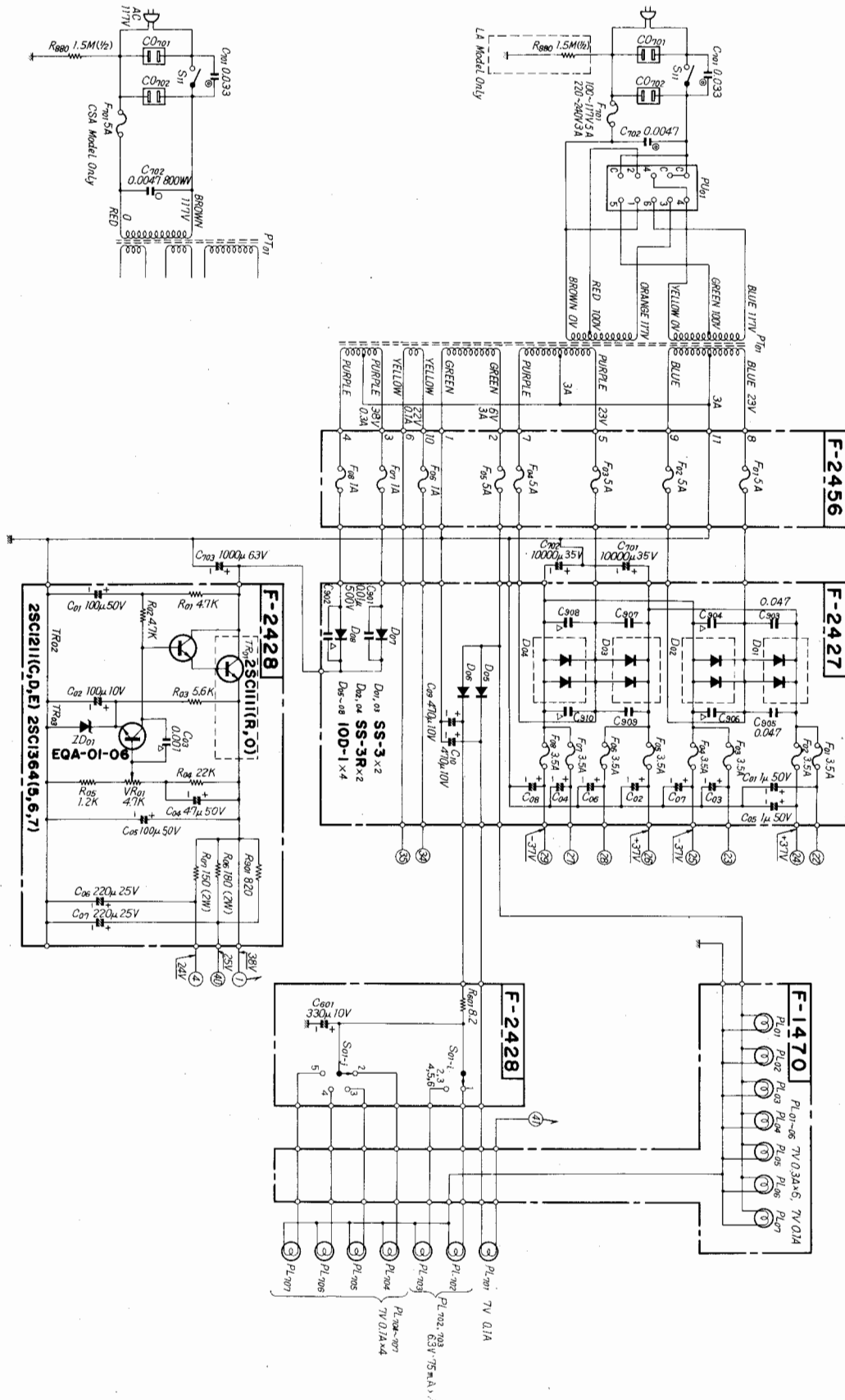
9. SCHEMATIC DIAGRAM OF 4-CH SECTION



* Design and specifications subject to change without notice for improvements.

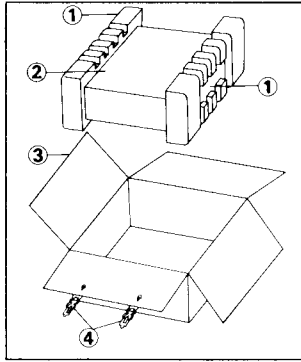


10. SCHEMATIC DIAGRAM OF POWER SUPPLY SECTION



11. PACKING LIST

Parts No.	Stock No.	Description
1	9027832	Stylofoam Packing
2	9116631	Vinyl Cover
3	9008181	Carton Case
4	5996080	Curl Stopper



12. ACCESSORY PARTS LIST

Stock No.	Description
3820091	FM Antenna
0433620	3A 250V Quick Acting Fuse
9208420	Operating Instructions
9228420	Operating Instruction Sheet
9416010	CD-4 Adjustment Record



SANSUI ELECTRIC CO., LTD.
14-1, 2-chome, Izumi, Suginami-ku, Tokyo 168, Japan
TELEPHONE: (03) 323-1111 / TELEX: 232-2076